



Hydraulic kit and accessories for tractor trucks

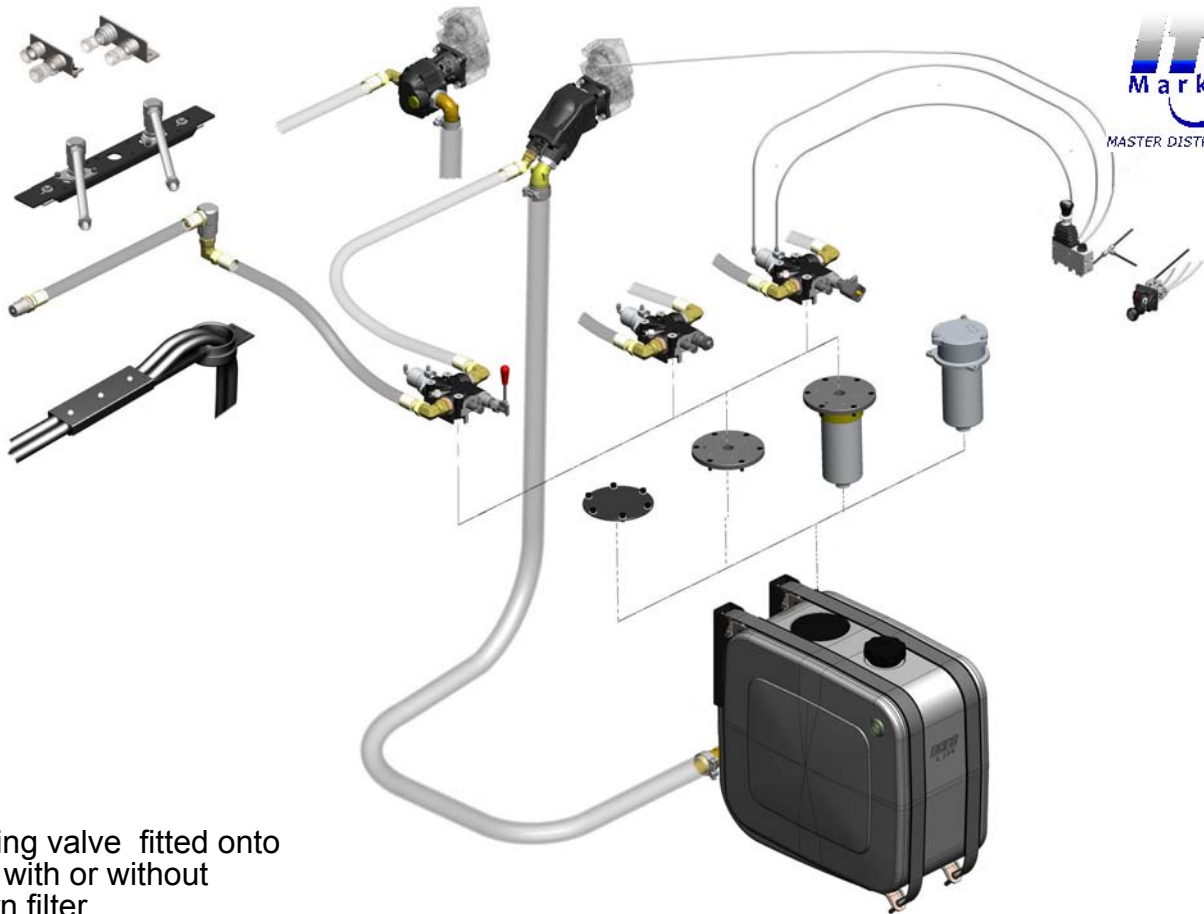


Binotto[®]
THE TIPPING POWER

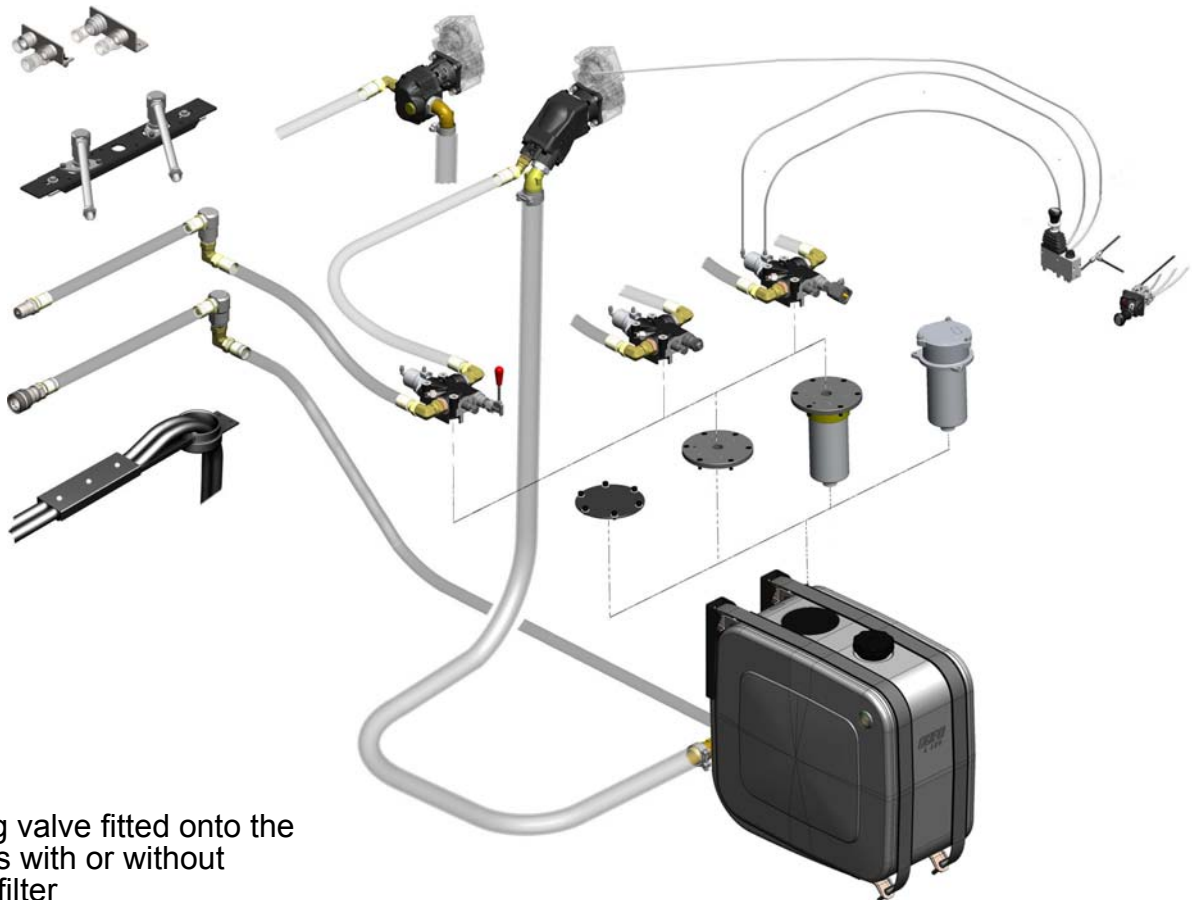
OMFB[®]
HYDRAULIC COMPONENTS

COMPANY WITH
QUALITY SYSTEM
CERTIFIED BY DNV GL
= ISO 9001 =

EXAMPLE DIAGRAMS



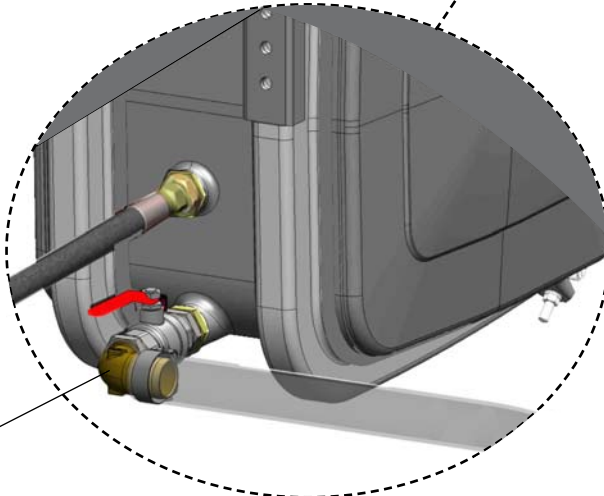
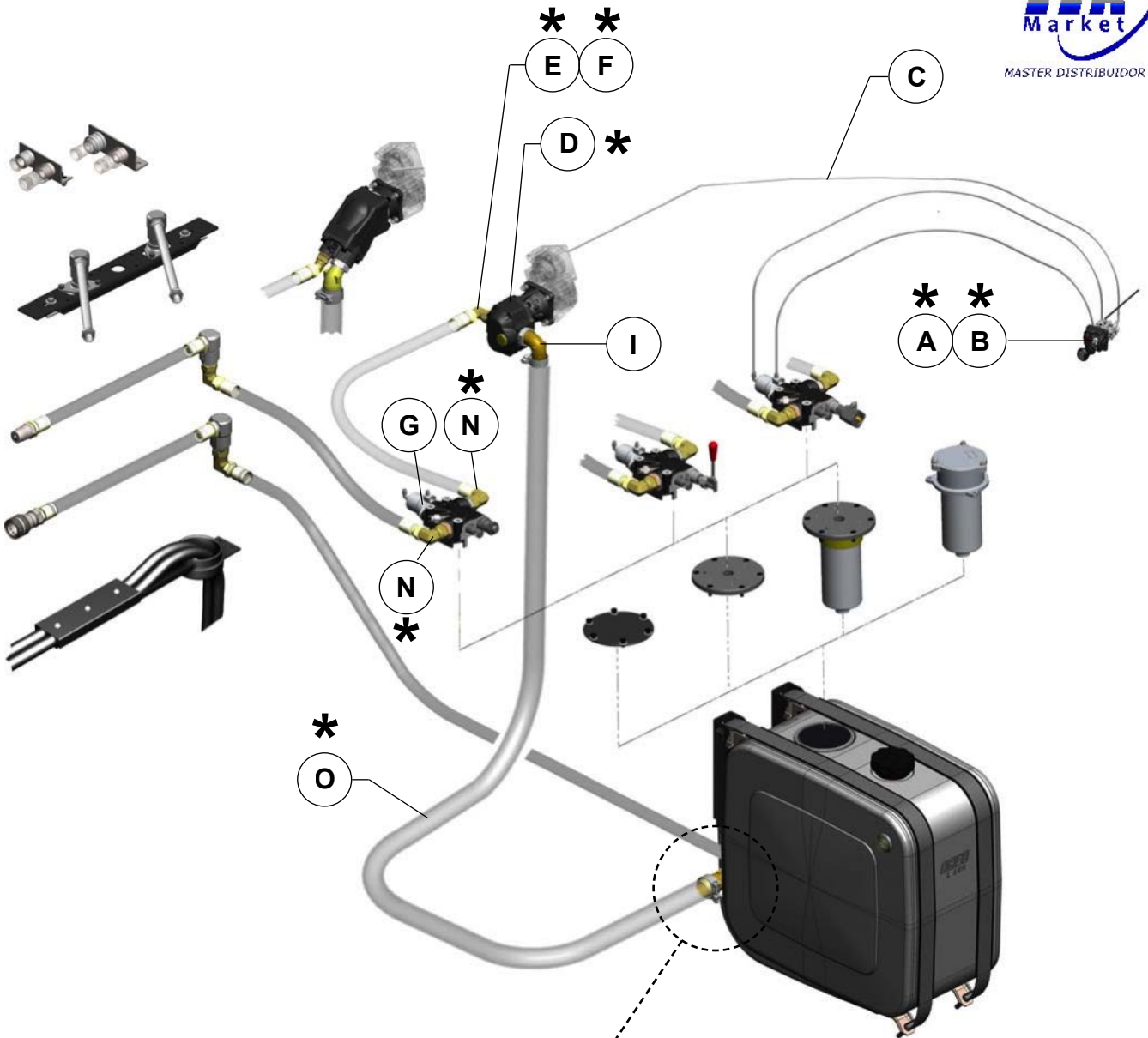
Tipping valve fitted onto tank with or without return filter



Tipping valve fitted onto the chassis with or without return filter

PREASSEMBLED HYDRAULIC KITS

WHAT THE KIT INCLUDES:



*** ITEMS INCLUDED IN THE KIT**

PARTS	MOUNTING EXAMPLE	DESCRIPTION	PAGE
		<p>TANK ASSEMBLY: oil tanks built with the latest technology to ensure the highest reliability e longer lifetime as well as an exterior aspect that can be perfectly integrated on the modern trucks. They are available in 4 different versions: painted with grey epoxy powder (RAL 7021); stainless steel; textured stainless steel and aluminum. They are supplied complete with support brackets, straps and rubber protections, filler and breather cap with replaceable air filter, oil level gauge and flange for filter options.</p> <p>ACCESSORIES</p>	8
		<p>PTO-PUMP ASSEMBLY: a wide range of PTO's is available for any European, American and Asian truck with different options to satisfy the multiple hydraulic applications ensuring the highest reliability and flexibility to our users.</p> <p>HYDRAULIC PUMPS Piston and gear pumps available with ISO, UNI and SAE flanges in different sizes and pressure rates to facilitate the selection of the most appropriate pump within the hydraulic kit.</p> <p>ACCESSORIES</p>	10
		<p>AIR CONTROL The leading air proportional control in the industry thanks to its enhanced features, reliability and ergonomic design.</p> <p>ACCESSORIES</p>	11
		<p>TIPPING VALVE ASSEMBLY</p> <p>MODULAR 150/250 and MODULTRUCK High Flow Pneumatically operated tipping valve with open centre hydraulic scheme to comply with EC directive. It is suitable for heavy-duty and off-road tipper bodies and semitrailers; if used in combination with our N-FORCE air control can ensure an enhanced proportional control of lowering speed of tipper bodies.</p> <p>ACCESSORIES</p>	11
		<p>ACCESSORIES Deep and wide range of accessories to grant the highest flexibility and personalization while setting up the hydraulic kit.</p> <p>HOSES Suction and high pressure hoses according to SAE standards.</p> <p>LP VALVES Low pressure ball and gate valves for hydraulic oil tanks.</p> <p>FITTINGS Wide and deep range of pneumatic, LP & HP hydraulic fittings to ensure reliability and flexibility.</p> <p>SWIVEL JOINTS High Pressure swivel joints G 3/4 and G 1 for hydraulic kits on tractor trucks.</p> <p>PRESSURE COUPLING Ball and Screw quick couplings for high pressure systems G 3/4 and G 1.</p>	13

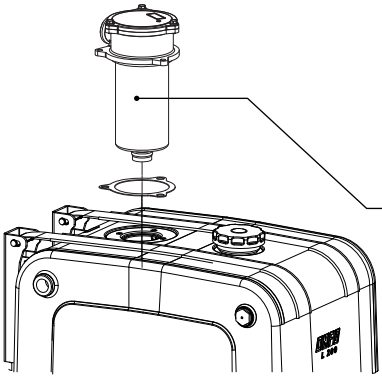

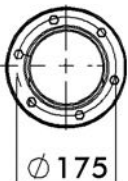
DIAMOND TANKS

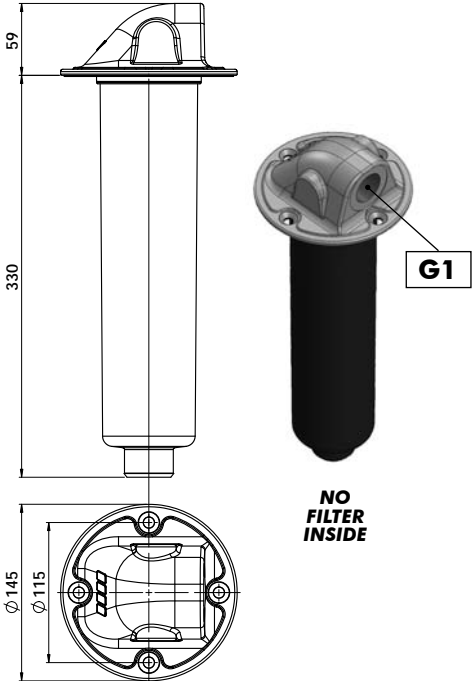
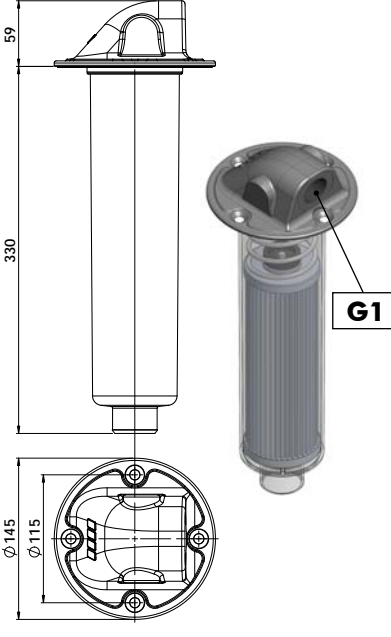
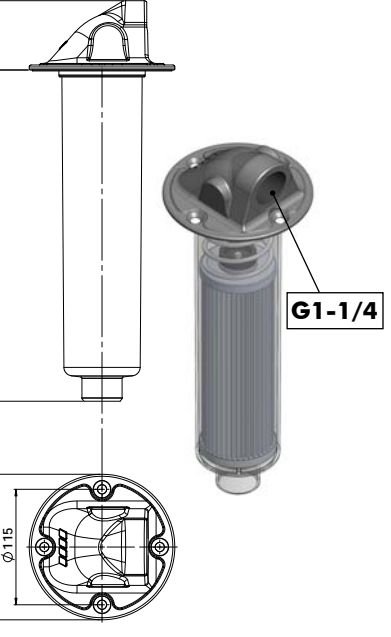
Image	Tank + kit	Tank	Litres	Description	Notes	
	135-610-11352	135-910-11359	135	SIDE MOUNTING STEEL TANKS	ACCESSORIES (see page 8-9)	
	135-610-11503	135-910-11500	150			
	135-610-11709	135-910-11706	170			
	135-610-12002	135-910-12009	200			
	135-610-02513	135-910-02510	250			
	135-610-41356	135-910-41353	135	SIDE MOUNTING STEEL TANKS AND SIDE RETURN PORTS		
	135-610-41507	135-910-41504	150			
	135-610-41705	135-910-41700	170			
	135-610-42006	135-910-42003	200			
	135-610-42506	135-910-42503	250			
	135-610-51354	135-910-51351	135	SIDE MOUNTING STEEL TANKS LEFT TIPPING VALVE PLATE - STANDARD -		
	135-610-51505	135-910-51502	150			
	135-610-51701	135-910-51708	170			
	135-610-52004	135-910-52001	200			
	135-610-61352	135-910-61359	135			
	135-610-61503	135-910-61500	150	SIDE MOUNTING STEEL TANKS RIGHT TIPPING VALVE PLATE - OPTIONAL -		
	135-610-61709	135-910-61706	170			
	135-610-62002	135-910-62009	200			
	135-613-11359	135-913-11356	135			
	135-613-11500	135-913-11507	150			
	135-613-11706	135-913-11703	170	SIDE MOUNTING ALUMINIUM TANKS		
	135-613-12009	135-913-12006	200			
	135-613-02510	135-913-02517	250			
	135-613-41353	135-913-41350	135			
	135-613-41504	135-913-41501	150			
	135-613-41700	135-913-41707	170	SIDE MOUNTING ALUMINIUM TANKS AND SIDE RETURN PORTS		
	135-613-42003	135-913-42000	200			
	135-613-42503	135-913-42500	250			
	135-613-51351	135-913-51358	135			
	135-613-51502	135-913-51509	150			
	135-613-51708	135-913-51705	170	SIDE MOUNTING ALUMINIUM TANKS LEFT TIPPING VALVE PLATE - STANDARD -		
	135-613-52001	135-913-52008	200			
	135-613-61359	135-913-61356	135			
	135-613-61500	135-913-61507	150			
	135-613-61706	135-913-61703	170			
	135-613-62009	135-913-62006	200	SIDE MOUNTING ALUMINIUM TANKS RIGHT TIPPING VALVE PLATE - OPTIONAL -		
	135-617-41706	135-917-41703	170			
		135-617-42009	135-917-42006		200	TURNED SIDE MOUNTING ALUMINIUM TANKS AND SIDE RETURN PORTS

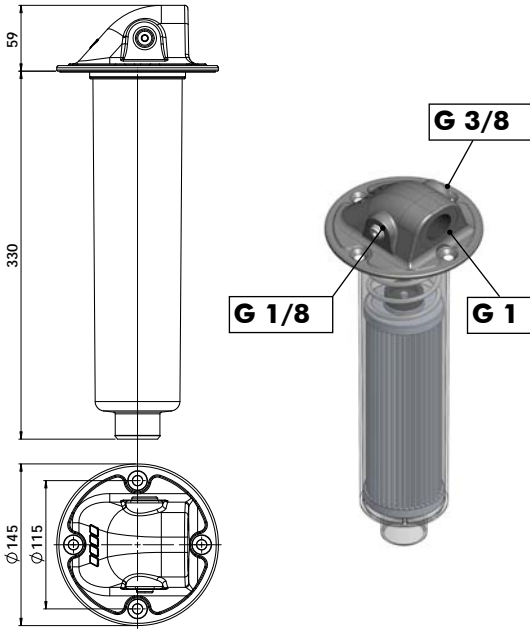
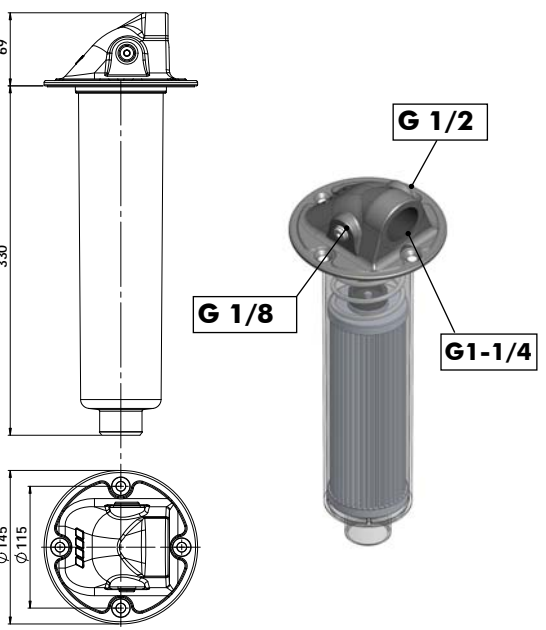
FILTER AND MOUNTING FLANGE FOR TIPPING VALVE

	TANK CAPACITY	135 L 150 L 170 L 200 L		VALVE	FM / FP 80 Modular 150 AL	VALVE MOUNTING PLATE	121-994-00182
		250 L			Modular 150 AL Modular 250		121-994-00226
				Modular 150 AL Modular 250	121-994-00217		
		135 L 150 L 170 L 200 L		FILTER	118-001-12176	25 µm	Submerged filters
					118-001-11177	60 µm	
					118-001-12756	30 µm	
					118-001-11757	60 µm	
		250 L					

FILTER WITHOUT MOUNTING FLANGE FOR TIPPING VALVES



 <p>Flangible filter</p>	<p>Tank 135 L 150 L 170 L 200 L</p>  <p>Ø 115</p>	Steel 90 µm	G 3/4	90 L	118-001-00358
		Steel 90 µm	G 1	105 L	118-001-00401
		Steel 60 µm	G 3/4	85 L	118-001-01357
		Steel 60 µm	G 1	100 L	118-001-01400
		Steel 60 µm	G 1	145 L	118-001-01437
		Steel 60 µm	G 1	170 L	118-001-01446
		Steel 60 µm	G 1 1/4	170 L	118-001-01455
		Steel 60 µm	G 1	200 L	118-001-01482
		Reinforced cellulose 25 µm	G 3/4	75 L	118-001-02356
		Reinforced cellulose 25 µm	G 1	100 L	118-001-02409
		Reinforced cellulose 25 µm	G 1	160 L	118-001-02436
		Reinforced cellulose 25 µm	G 1	175 L	118-001-02445
		Reinforced cellulose 25 µm	G 1 1/4	175 L	118-001-02454
		Micro-fibre glass 25 µm	G 3/4	55 L	118-001-04354
		Micro-fibre glass 25 µm	G 1	75 L	118-001-04407
		Reinforced cellulose 10 µm	G 3/4	55 L	118-001-03355
	Reinforced cellulose 10 µm	G 1	75 L	118-001-03408	
	<p>Tank 250 L</p>  <p>Ø 175</p>	Steel 90 µm	G 1 1/4	270 L	118-001-00509
		Steel 60 µm	G 1 1/4	260 L	118-001-01508
		Reinforced cellulose 25 µm	G 1 1/4	270 L	118-001-02507
Micro-fibre glass 25 µm		G 1 1/4	220 L	118-001-04505	
Reinforced cellulose 10 µm		G1-1/4	220 L	118-001-03506	

Cap without filter cartridge - 1 return port G1 Cod. 135-904-00056	Cap complete with filter cartridge 1 return port G1	Cap complete with filter cartridge 1 return port G1-1/4
Cod. 135-904-00056	Cod. 118-001-20032 (60 µm) 200 lt 118-001-20041 (25 µm) 160 lt	Cod. 118-001-20050 (60 µm) 200 lt 118-001-20069 (25 µm) 160 lt
		

Cap complete with filter cartridge 1 return port G1 + 2 auxiliary return ports G3/8 and G1/8	Cap complete with filter cartridge 1 return port G1-1/4+2 auxiliary return ports G1/2 and G1/8
Cod. 118-001-20130 (60 µm) 200 lt 118-001-20149 (25 µm) 160 lt	Cod. 118-001-20158 (60 µm) 200 lt 118-001-20167 (25 µm) 160 lt
	

Spare cartridge
118-002-11176 steel (60 µm-200 lt)
118-002-12175 reinforced cellulose (25 µm-160 lt)

HYDRAULIC PUMPS

IMAGINE	CODE	DESCRIPTION	NOTES
	105-033-11005	GEAR PUMP LTMH 100cc ISO BI-ROT.	Already included in the following preassembled hydraulic kits 089-700-10022 089-700-20020 089-700-30028 089-700-40026 089-700-50024 089-700-60022
	105-033-11201	GEAR PUMP LTMH 120cc ISO BI-ROT.	Already included in the following preassembled hydraulic kits 089-700-10013 089-700-20011 089-700-30019 089-700-40017 089-700-50015 089-700-60013
	108-016-00807	BENT AXIS PISTON PUMPS MDS 80 RH	ON DEMAND
	108-016-00816	BENT AXIS PISTON PUMPS MDS 80 LH	
	108-015-06035	BENT AXIS PISTON PUMPS HDS 64 RH	
	108-015-06044	BENT AXIS PISTON PUMPS HDS 64 LH	
	108-016-01306	BENT AXIS PISTON PUMPS MDS 130 RH	
	108-016-01315	BENT AXIS PISTON PUMPS MDS 130 LH	
	108-013-08400	BENT AXIS PISTON PUMPS HDT 84 RH	
	108-013-08419	BENT AXIS PISTON PUMPS HDT 84 LH	
	108-013-09605	BENT AXIS PISTON PUMPS HDT 96 RH	
	108-013-09614	BENT AXIS PISTON PUMPS HDT 96 LH	
	108-013-10808	BENT AXIS PISTON PUMPS HDT 108 RH	
	108-013-10817	BENT AXIS PISTON PUMPS HDT 108 LH	

MOUNTING EXAMPLE






PTO




A wide range of PTO's is available for any European, American and Asian truck with different options to satisfy the multiple hydraulic applications. For more information please visit our web site www.omfb.it or contact our sales department.





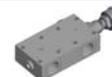

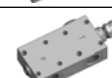

AIR CONTROLS

IMAGINE	CODE	DESCRIPTION	NOTES
	100-001-71003	N-FORCE CE VERSION WITH AUTO PTO KNOCK-OFF	Already included in the following preassembled hydraulic kits: 089-700-50015 089-700-50024
	100-001-71094	N-FORCE BLOCK VERSION WITH MANUAL PTO KNOCK-OFF	Already included in the following preassembled hydraulic kits: 089-700-20011 089-700-20020
	100-001-71209	N-FORCE LOW BLOCK VERSION WITH AUTO PTO KNOCK-OFF	ON DEMAND
	100-001-71030	N-FORCE CE VERSION WITH AUTO PTO KNOCK-OFF	Already included in the following preassembled hydraulic kits: 089-700-10013 089-700-10022
	100-001-71067	N-FORCE BLOCK VERSION WITH AUTO PTO KNOCK-OFF	ON DEMAND
	100-001-71127	N-FORCE LOW BLOCK VERSION WITH MANUAL PTO KNOCK-OFF	ON DEMAND
	100-001-71110	N-FORCE CE VERSION WITH UP/DOWN	Already included in the following preassembled hydraulic kits: 089-700-30019 089-700-30028
	100-001-71101	N-FORCE BLOCK VERSION WITH UP/DOWN	Already included in the following preassembled hydraulic kits: 089-700-40017 089-700-40026
	100-001-71218	N-FORCE LOW BLOCK VERSION WITH UP/DOWN	Already included in the following preassembled hydraulic kits: 089-700-60013 089-700-60022
	100-001-00462	N-GAGE 3 SINGLE LEVER AIR SWITCH WITH LAMP	ON DEMAND

TIPPING VALVES

IMAGINE	CODE	DESCRIPTION	NOTES
	121-008-00041	MODULAR 250 CE G 1 DIRECT VALVE	Already included in the following preassembled hydraulic kits: 089-700-10013 / 089-700-20011 / 089-700-30019 / 089-700-40017 / 089-700-10022 / 089-700-20020 / 089-700-30028 / 089-700-40026 / 089-700-50015 / 089-700-50024 / 089-700-60013 / 089-700-60022
	121-007-00202	MODULAR 250 CE G 1 DOUBLE PRESSURE MECH.	ON DEMAND
	121-007-00319	MODULAR 250 CE G 1 DOUBLE INDEPENDENT PRESSURE	ON DEMAND

RELIEF VALVES ASSEMBLY

IMAGINE	CODE	DESCRIPTION	NOTES
	121-080-00016	RELIEF VALVE ASSEMBLY G 1 WITH PILOTED VALVE	TO ORDER SEPARATELY
	121-080-00025	RELIEF VALVE ASSEMBLY G 1 WITH CARTRIDGE 150 VALVE	TO ORDER SEPARATELY
	121-080-00034	RELIEF VALVE ASSEMBLY G 1 WITH PILOTED VALVE - DOUBLE INEDPEN- DENT PRESSURE	TO ORDER SEPARATELY
	121-080-00043	RELIEF VALVE ASSEMBLY G 1 WITH PILOTED VALVE - TRIPLE PRESSURE PNEUMATIC SELECTION	TO ORDER SEPARATELY
	121-080-00052	RELIEF VALVE ASSEMBLY G 1 WITH DIRECT VALVE	TO ORDER SEPARATELY
	124-002-00032	ADJUSTABLE RELIEF VALVE G 3/4	TO ORDER SEPARATELY

ACCESSORIES SUCTION LINE

G 1-1/2 SUCTION KIT FOR 50mm HOSES ON SIDE MOUNTED OIL TANKS

Suction kit c/w ball valve suitable for side mounting tanks with G 1-1/2 port. It includes a swivel nipple with double O-ring sealing, which allows an easy and leakage-free orientation of the ball valve and a GOLD adjustable 90° fitting for 50mm ID suction hose..



Code: 155-990-00283

Mounting example

L=300 BRACKET PIPE KIT

The kit includes a pre-drilled zinc steel plate to shape it according to your needs, a PVC gasket to protect the hose and a fixing collar. It is especially designed to support the suction hose and to avoid interference with any moving aggregates or parts that might damage it.



Code: 135-901-00255

L=300+400 BRACKET PIPE KIT

The kit includes a pre-drilled zinc steel plate to shape it according to your needs plus an extra longer bracket, a PVC gasket to protect the hose and a fixing collar. It is especially designed to support the suction hose and to avoid interference with any moving aggregates or parts that might damage it.



Code: 135-901-00273

HOSE BRACKET

Bracket made of zinc coated steel with rubber protection for the hose. Very easy to use and to fix through one screw only.

Working temperature:
-20° C / +120° C.



Screw M8

Code:
135-901-00308 (TUBO Ø32)
135-901-00317 (TUBO Ø40)

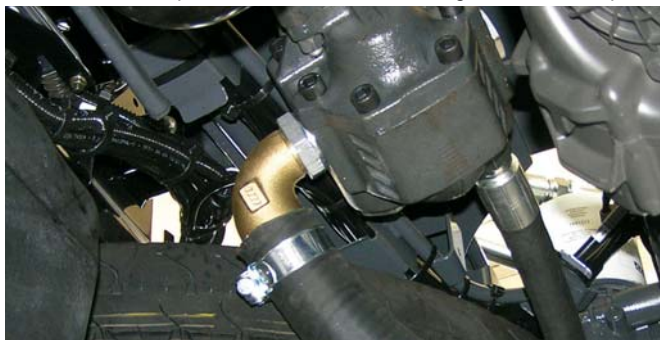
Mounting example



90° "GOLD" SUCTION FITTINGS

Solid brass made 90° suction fittings, particularly suitable for pumps, oil tanks and gate valves mounting and easy to orientate thanks to a steel tightening nut. Saw-tooth machining and pump-clamping bands are used to prevent accidental separation on the pipe end, while an O-ring ensure a perfect seal on the pump end.

Two sizes of clamps are available for each fitting in order to adapt to every kind of pipe.



Code 155-100-00412 GOLD 90° - G1 x T.50 (60-63)
Code 155-100-00501 GOLD 90° - G1-1/4 x T.50 (60-63)
Code 155-100-00592 GOLD 90° - G1-1/2 x T.50 (60-63)

HOSE SAE 100 R4

Oil resistant synthetic rubber tube; reinforcement with high tensile textile cords and embedded steel helix wires; abrasion, ozone and hydrocarbon resistant synthetic rubber cover; working temperature -40°+120°.

L=2MT



Code: 155-993-50208