

DIRECT OPERATED PRESSURE RELIEF VALVE TYPE DBD

NG 6, 10, 20

do 63 MPa

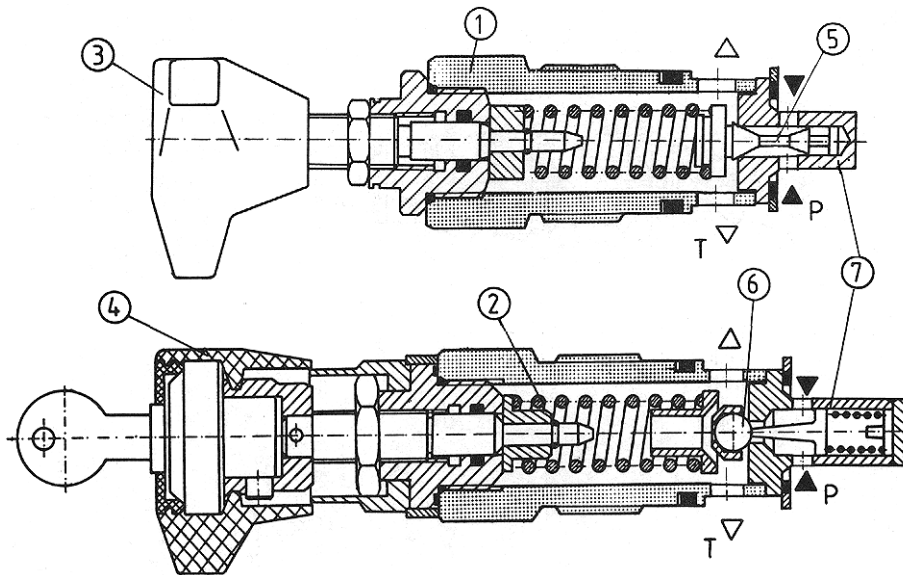
do 250 dm³/min.

Pressure relief valves serve to limit maximum pressure in a whole hydraulic system or in a specified part of it.

Direct operated pressure relief valves DBD are available, according to anticipated mounted method, as cartridge valves, for threaded connections and for subplate mounting.



DESCRIPTION OF OPERATION



A moveable poppet (5) - in the valves for pressure up to 40 MPa and a ball (6) - in the valves size 10 for pressure up to 65 MPa represent the operating element.

Cracking pressure setting is made by variation of the tension of spring (2) by means of a handknob (3), lockable handwheel (4) or set screw.

Various ranges of pressure adjustment correspond to specific springs (exchangeable).

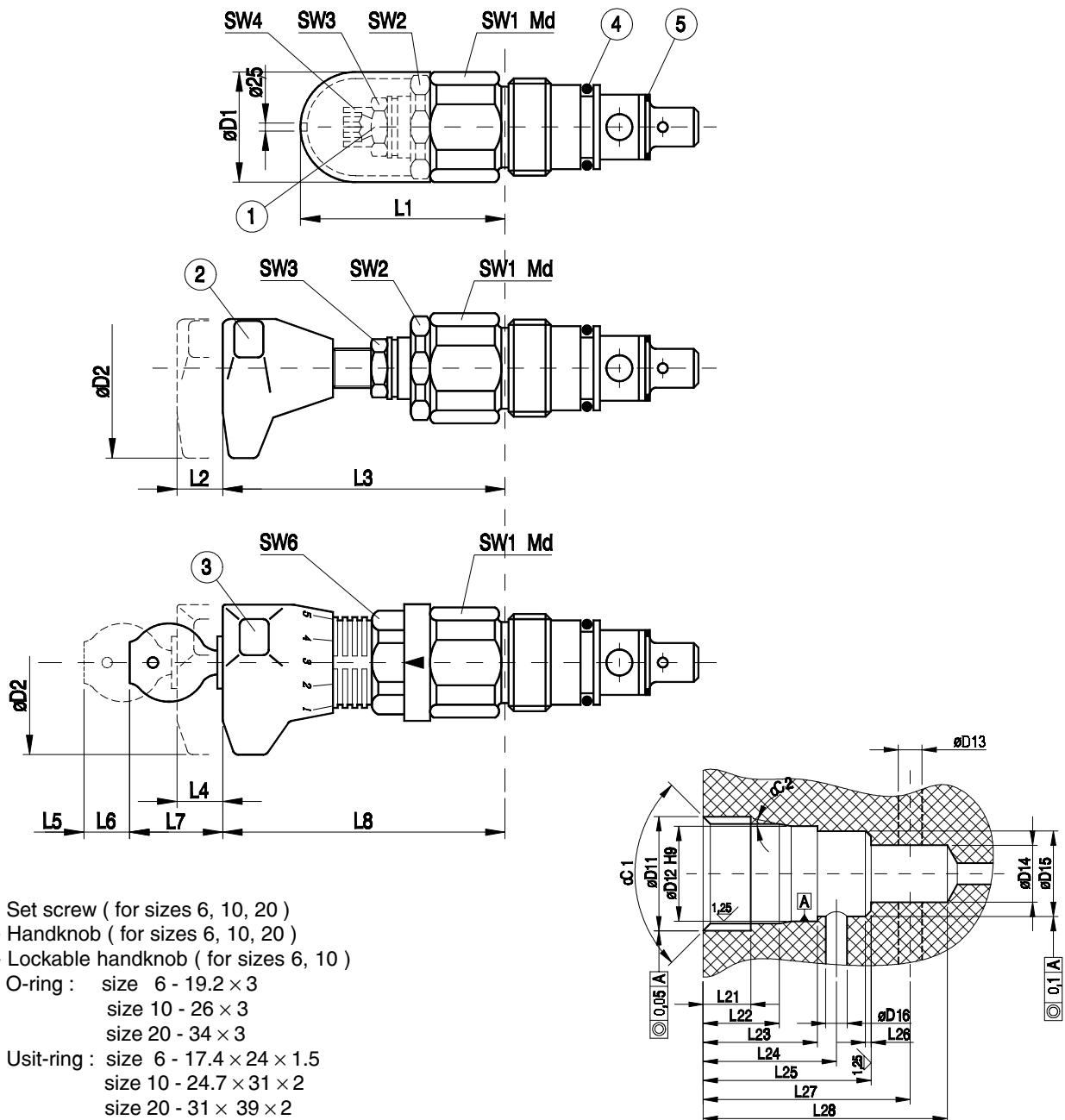
A dumping element (7) is used to eliminate vibration of the valve.

TECHNICAL DATA

Hydraulic fluid	Mineral oil or phosphate ester		
Nominal fluid viscosity	37 mm ² /s at the temperature of 328 K		
Viscosity range	2.8 to 380 mm ² /s		
Optimum working temperature (fluid in a tank)	313 - 328 K		
Fluid temperature range	243 - 343 K		
Required fluid filtration	16 μm		
Recommended fluid filtration	10 μm		
Maximum operating pressure	Size 6	Size 10	Size 20
	40 MPa	63 MPa	40 MPa

OVERALL AND CONNECTION DIMENSIONS

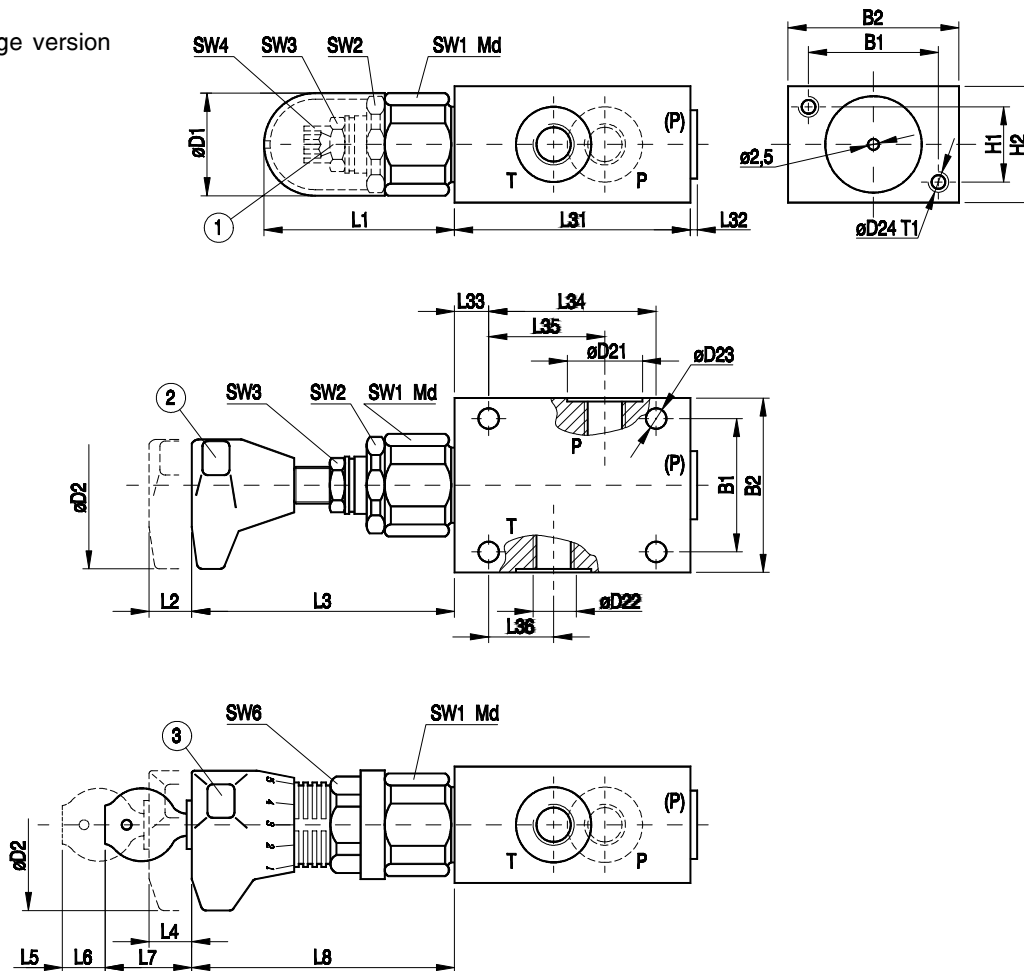
Cartridge version



Valve	Weight [kg]	D1	D2	L1	L2	L3	L4	L5	L6	L7	L8	SW1	Md [Nm]	SW2	SW3	SW4	SW6
Size 6	0.4	34	60	72	11	20	11	20	11	30	94	32	80	30	19	6	3
Size 10	0.5	38	60	68	11	79	11	20	11	30	90	36	140	30	19	6	30
Size 20	1	48	60	65	11	77	-	-	-	-	-	46	170	36	19	6	-

Seat	D11	D12	D13	D14	D15	D16	L21	L22	L23	L24	L25	L26	L27	L28	$\alpha 1$	$\alpha 2$
Size 6	M28x1.5	25	6	15	24.9	6	15	19	30	35	45	0.5x45°	56.5±5	65	90	15
Size 10	M35x1.5	32	10	18.5	31.9	10	18	23	35	41	52	0.5x45°	67.5±7	80	90	15
Size 20	M45x1.5	40	20	24	39.9	20	21	27	45	54	70	0.5x45°	91.5±8	110	90	20

Cartridge version

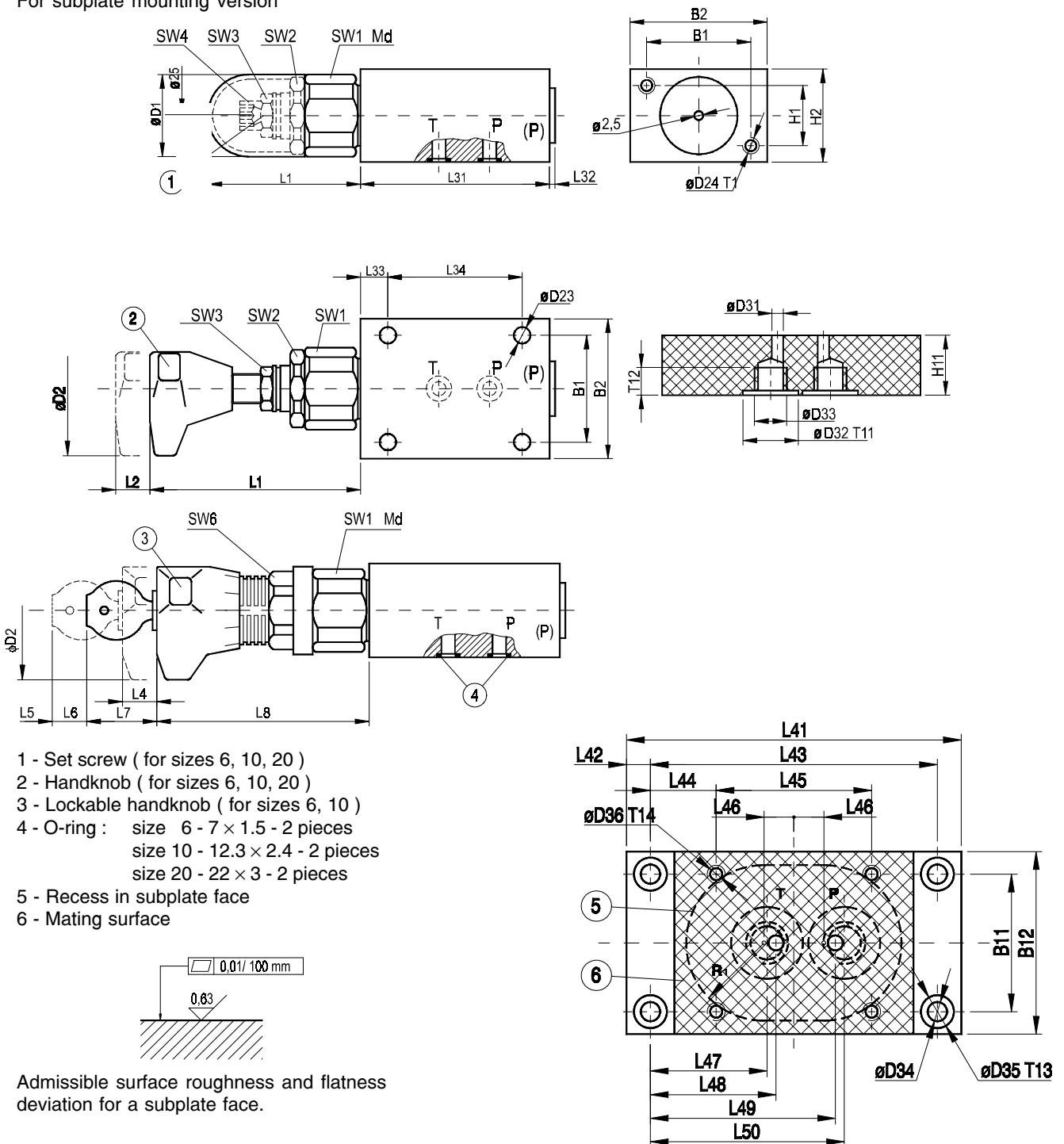


- 1 - Set screw (for sizes 6, 10, 20)
- 2 - Handknob (for sizes 6, 10, 20)
- 3 - Lockable handknob (for sizes 6, 10)

Valve	B1	B2	D1	D2	D21	D22	L23	L24	H1	H2	L1	L2	L3	L4	L5
Size 6	45	60	34	60	25	G1/4	6.6	M6	25	40	72	11	83	11	20
Size 10	60	80	38	60	34	G1/2	9	M8	40	60	68	11	79	11	20
Size 20	70	100	48	60	47	G1	9	M8	50	70	65	11	77	-	-

Valve	L6	L7	L8	L31	L32	L33	L34	L35	L36	SW1	SW2	SW3	SW4	SW6	T1	Weight
Size 6	11	30	94	80	3	15	55	40	20	32	30	19	6	30	10	1.6 kg
Size 10	11	30	90	100	4	20	70	49	21	36	30	19	6	11	20	3.7 kg
Size 20	-	-	-	135	5.5	20	100	65	34	46	36	19	6	-	20	7.0 kg

For subplate mounting version



Valve	B1	B2	D1	D2	D23	D24	H1	H2	L1	L2	L3	L4	L5
Size 6	60	45	34	60	6.6	M6	25	40	72	11	83	11	20
Size 10	80	60	38	60	9	M8	40	60	68	11	79	11	20
Size 20	100	70	48	-	9	M8	50	70	65	11	77	-	-

L6	L7	L8	L31	L32	L33	L34	SW1	SW2	SW3	SW4	SW6	T1	Weight (kg)
11	30	94	80	3	15	55	32	30	19	6	30	10	1.6
11	30	90	100	4	20	70	36	30	19	6	30	20	3.7
11	-	-	135	5.5	20	100	46	36	19	6	-	20	7.0

Subplate	Type	Weight	B11	B12	D31	D32	D33	D34	D35	D36	H11	L41
Size 6	G300/01	1.5	45	60	6	25	G1/4	7	11	M6	25	110
Size 10	G302/01	2.0	60	80	10	34	G1/2	7	11	M8	25	135
Size 20	G304/01	5.5	70	100	20	47	G1	11.5	17.5	M8	40	170

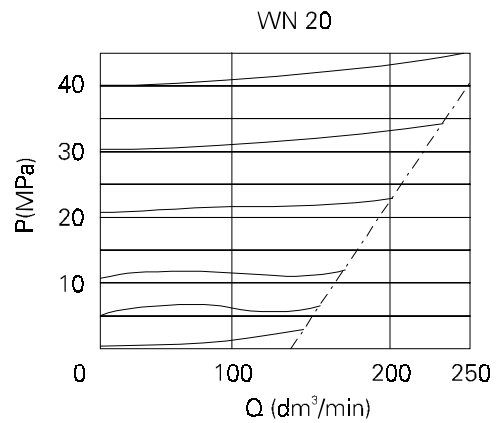
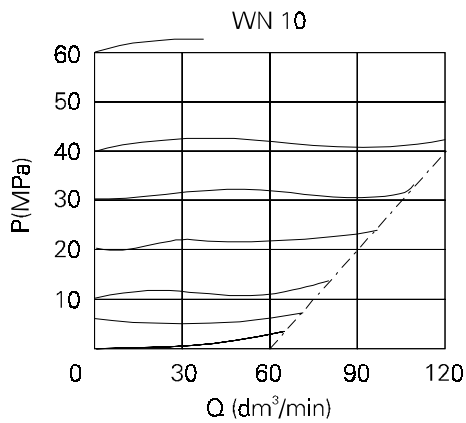
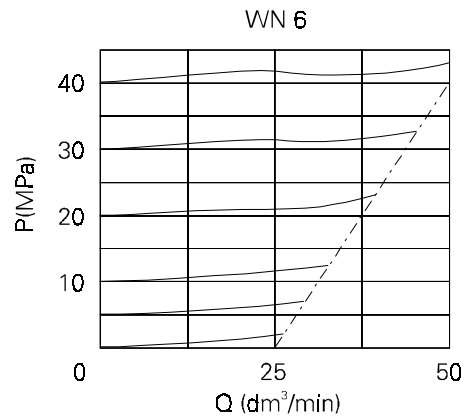
L42	L43	L44	L45	L46	L47	L48	L49	L50	T11	T12	T13	T14	R1
8	94	22	55	10	39	42	62	65	1	15	9	15	25
10	115	27.5	70	12.5	40.5	48.5	72.5	80.5	1	16	9	15	30
15	140	20	100	20	42	54	85	97	1	20	13	22	40

	Bolts muonting the valve	Torque (Nm)	Standard
Size 6	M6 x 50 - 10.9	10	PN - 74 / M-82302 (DIN 912)
Size 10	M8 x 70 - 10.9	25	
Size 20	M8 x 90 - 10.9	25	

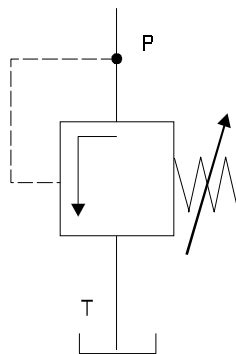
Note : Subplate and mounting bolts must be ordered seperately.

PERFORMANCE CURVES, measured at $v = 41 \text{ mm}^2/\text{s}$ and $T = 323 \text{ K}$

Operating pressure in flow-function.



SCHEMES



HOW TO ORDER

Orders coded in the way showed below should be forwarded to the manufacturer.

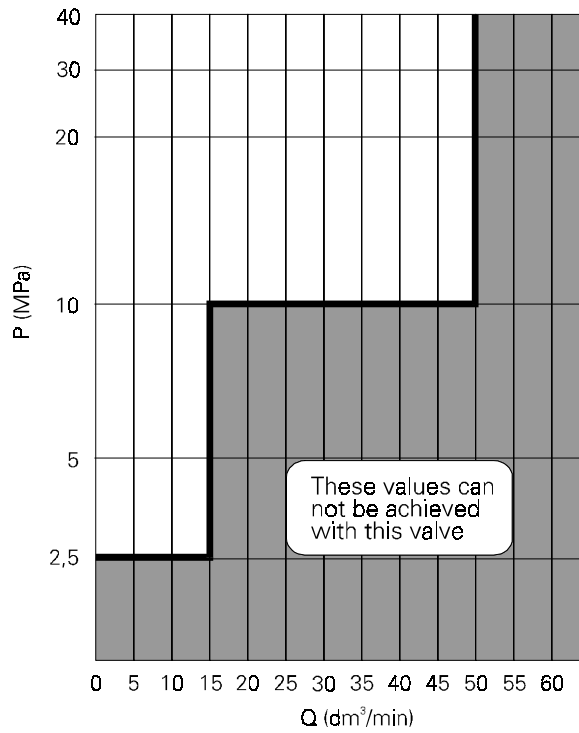
DBD				/		*
<div style="border: 1px solid black; padding: 5px; margin-bottom: 10px;"> <p>Adjustment method</p> <p>Set screw = S Handknob = H Lockable hand knob = A (for sizes 6 and 10 only)</p> </div> <div style="border: 1px solid black; padding: 5px; margin-bottom: 10px;"> <p>Nominal size</p> <p>Size 6 = 6 Size 10 = 10 Size 20 = 20</p> </div> <div style="border: 1px solid black; padding: 5px; margin-bottom: 10px;"> <p>Mounting method</p> <p>Cartridge version = K For threaded connection = G For subplate mounting = P</p> </div> <div style="border: 1px solid black; padding: 5px; margin-bottom: 10px;"> <p>Series number</p> <p>13 = 13 (10 - 19) - installation and connection dimensions remain unchanged</p> </div> <div style="border: 1px solid black; padding: 5px; margin-bottom: 10px;"> <p>Operating pressure range</p> <p>up to 2.5 MPa = 25 up to 5 MPa = 50 up to 10 MPa = 100 up to 20 MPa = 200 up to 31.5 MPa = 315 up to 40 MPa = 400 up to 63 MPa = 630 (for size 10 only)</p> </div> <div style="border: 1px solid black; padding: 5px; margin-bottom: 10px;"> <p>Sealing</p> <p>Fluids on mineral oil base = with no code Fluids on phosphate-ester base = V</p> </div> <div style="border: 1px solid black; padding: 5px;"> <p>Further requirements in clear text (to be agreed with the manufacturer)</p> </div>						

Coding example : DBD S 6 K 13/400

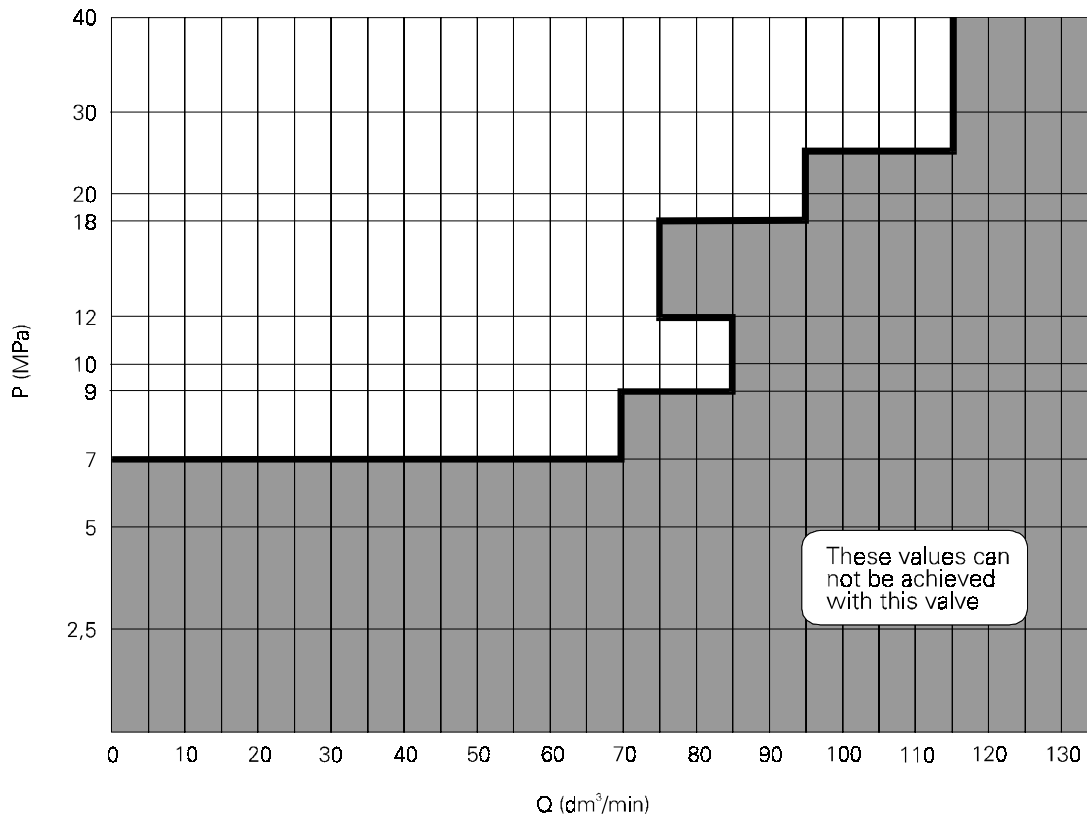
Version DBD... as a safety valve DBD6.../B and DBD10.../B meeting requirements TÜV

Flow curves

Size 6

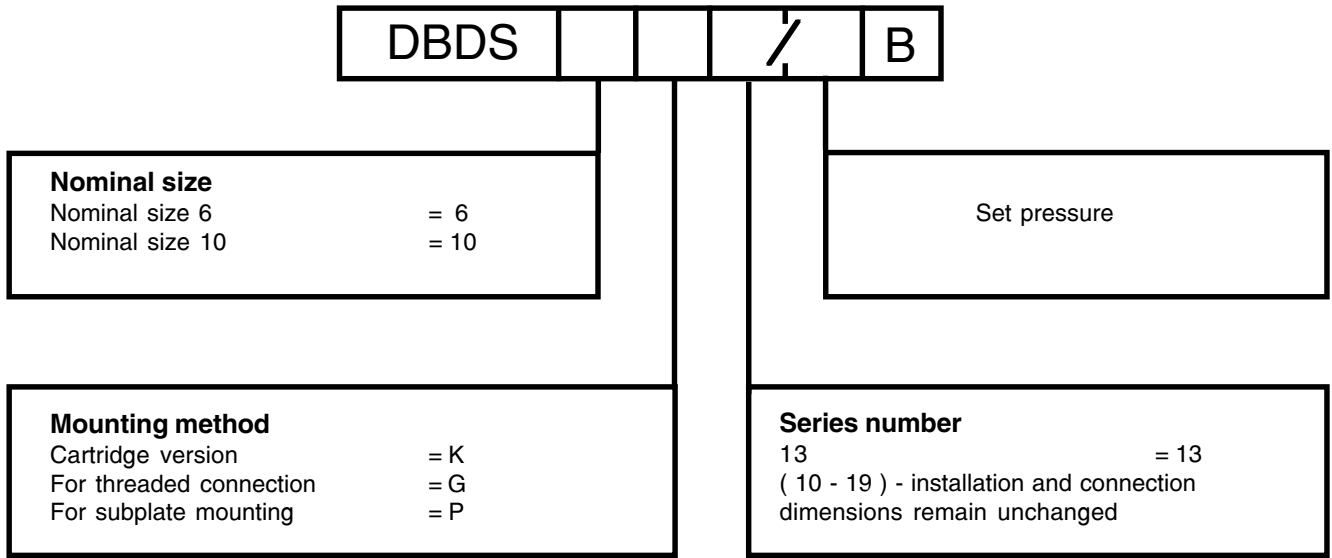


Size 10



HOW TO ORDER

Orders coded in the way showed below should be forwarded to the manufacturer.



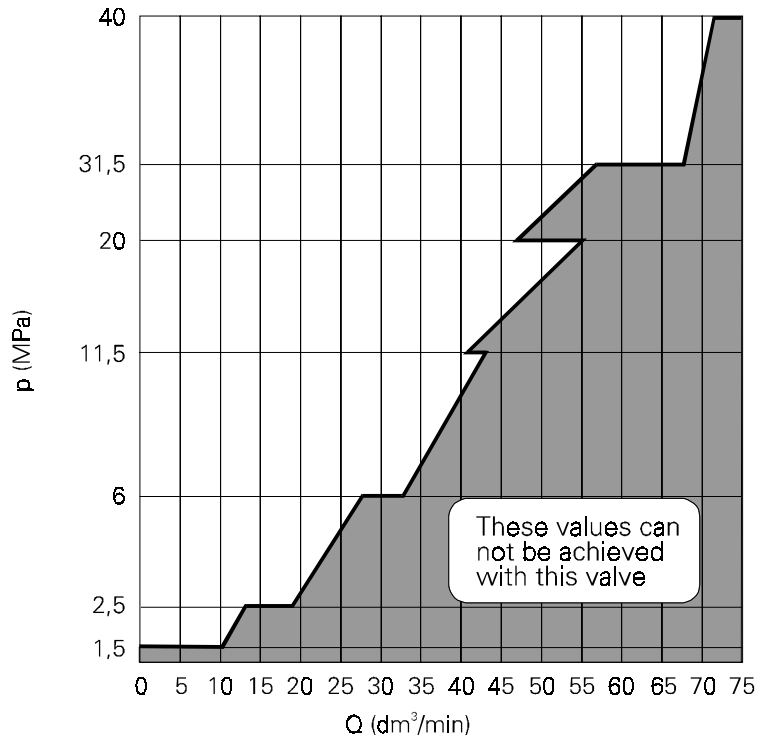
Valve designation according to TÜV

Nominal size 6		Nominal size 10	
Pressure range MPa	Designation	Pressure range MPa	Designation
2,5 thr. 10,0 incl.	TÜV.SV.97-899.5.F.15 <input type="checkbox"/>	7,0 thr. 9,0 incl.	TÜV.SV.97-903.6.F.70 <input type="checkbox"/>
over 10,0 thr. 40,0	TÜV.SV.97-899.5.F.50 <input type="checkbox"/>	over 9,0 thr. 12,0 incl.	TÜV.SV.97-903.6.F.90 <input type="checkbox"/>
<input type="checkbox"/> pressure set at adjustment [bar]		over 12,0 thr. 18,0 incl.	TÜV.SV.97-903.6.F.80 <input type="checkbox"/>
		over 18,0 thr. 25,0 incl.	TÜV.SV.97-903.6.F.100 <input type="checkbox"/>
		over 25,0 thr. 40,0	TÜV.SV.97-903.6.F.120 <input type="checkbox"/>

Version DBD... as a safety valve DBD6.../JV and DBD10.../JV meeting requirements UDT

Flow curves

Size 6



Size 10

