

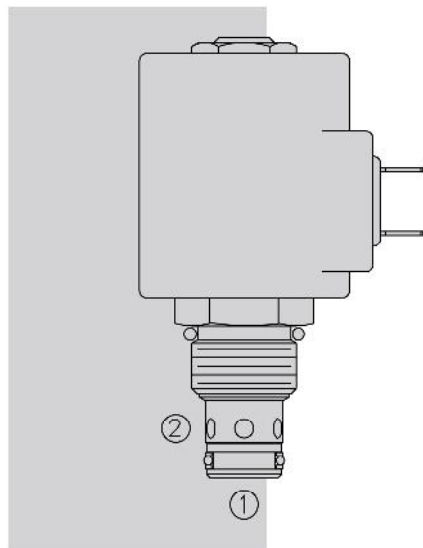
Itahydraulic

Power Tecnology



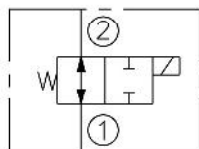
Solenoid Valve

Two-way electromagnetic valves and two mounting positions online.

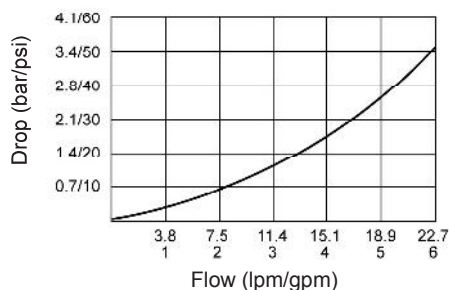


Symbol

USASI/ISO:



Performance graph (only plug)



Description

Electromagnetic drive, 2-way, normally open, direct-acting spool-type, screw-in hydraulic cartridge valve, used as a two-way valve.

Obras

When off , SV10-25 allows bidirectional flow of oil.
 When energized, the plug-in spool moved so two-way off the oil flow .
 Operation of Manual Override Option: When you want to override, press the button , rotate counterclockwise 180 ° release. The internal spring will push the button out . In this position, the valve may be only part of the movement. To really.
 Ensure full override shift, pull the button out to its fullest extension and hold it in this position.
 To return to normal valve function, press the button, in clockwise rotation 180 ° release. Manual Override Members will be locked in this position .

Feature

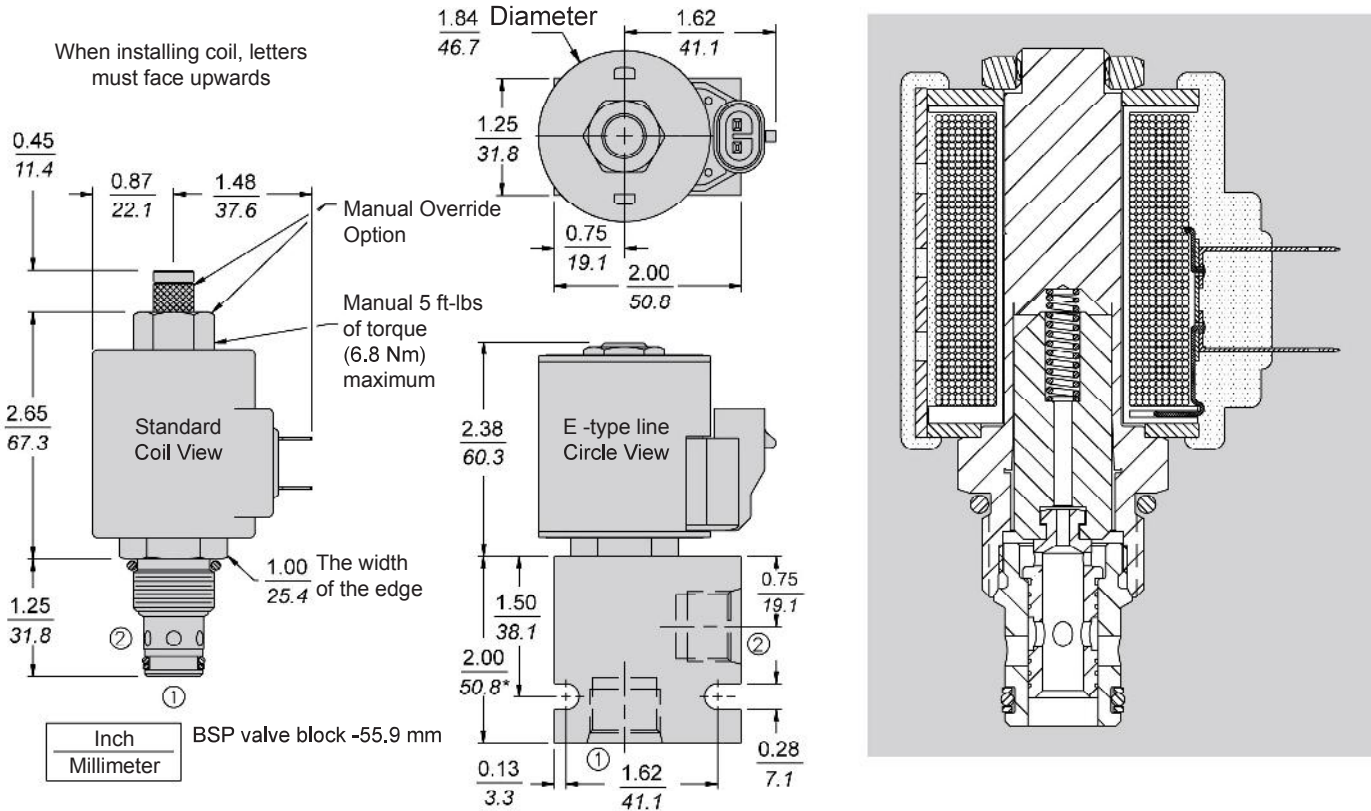
- rated solenoid suitable for continuous operation.
- Hardened spool and cage for long life.
- Optional coil voltages and terminations.
- two oil ports may be fully pressurized.
- Efficient wet armature structure.
- Plug- voltage interchangeable.
- Manual Override option. IP69K
- Optional waterproof E-Coils.
- overall molded coil design.
- Industry common cavity.

Property

Working pressure: 207 bar (3000 psi)
 Pressure: 350 bar (5075 psi)
 Flow: port - inflows: maximum 18.9 lpm (5 gpm); oil inflow port: maximum 22.7 lpm (6 gpm)
 Internal Leakage: in 207 bar (3000 psi), the maximum of 82 ml / min (5 cubic inches / min)
 Temperature range: -40 to 120, the standard nitrile rubber seals
 Coil rated load: continuous work within 85-115% of the rated voltage range.
 When the voltage is 100%, 80% of rated flow rate, the first change of state indicating: response time.
 Rooms: power: 60 ms; power: 60 ms.
 Coil initial current at 20: Standard Coil: 12 VDC at 1.67 Ann, 115 VAC (full-wave rectifier 0.18 An flow) when. E-Coil: 12 VDC at 1.7 A; 24 VDC at 0.85 Ann.
 Minimum pull-in voltage: 207 bar (3000 psi) at 85% of rated
 Filter: See 9.010.1
 Media: viscosity between 7.4 ~ 420cSt (50 ~ 2000ssu) of mineral oil or synthetic oil with lubricating
 Installation: No restrictions, see 9.020.1
 Valve hole: VC10-2; see 9.110.1
 Valve hole cutter Model: CT10-2XX; see 8.600.1
 The seal assembly Model: SK10-2X-M; see 8.650.1
 Coil Nuts: Part No. 7004400; E-type coil for January 1, 2004 production, please.
 See section 3.400.1 coil nut information page.

Size

SV10-25



Material

Plugin: Weight: 0.16 kg (0.35 lbs); Steel , Hardened Face . Outer Galvanized surface . Nitrile rubber O-rings and Polyurethane ring (standard) .

Standard Ported Body: Weight: 0.1 6 kg (0.35 lbs.) ; High- strength anodized Aluminum , grade 6061 T6, rated Pressures up to 240 bar (3500 psi); reference.

See 8.010.1. Ductile iron and steel Valve block; the size may vary, Please consult factory.

Standard Coil: Weight: 0.2 7 kg (0.60 pounds); unified hot plastic Equipment; H -grade temperature magnet wire; see 3.200.1 .

E-Coil: Weight: 0.4 1 kg (0.9 lbs.); Rugged all- metal housing Packaging; meet IP69K protection standards, With integral connectors;

NOTE : All new applications related to the E-type coil Use, see 3.400.1 .

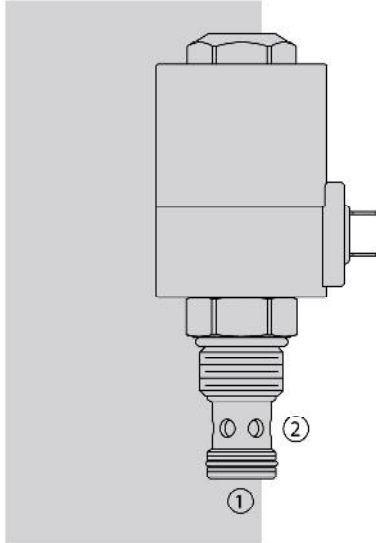
Ordering

SV10-25

None (blank)	-	-	-	-	-	-
Manual Override M						
Manual Override Y						
Manual Override J						
Manual Override options related information, See 1.001.1						
Porting						
Usually only insert attachments	0					
SAE 6	6T					
SAE 8	8T					
1/4 inch BSP *	2B					
3/8 inch BSP *	3B					
1/2 inch BSP *	4B					
Sealing materials						
Nitrile rubber (standard)	N					
Viton	V					
Standard coil voltage					DS	Standard coil terminal (VDC)
0 Wireless laps **					DG	Double spade terminals
10 10 VDC					DL	DIN 43650
12 12 VDC					DL/W	Conductor (2)
24 24 VDC					DR	Wire with Weatherpak® Connector
36 36 VDC						Deutsch DT04-2P
48 48 VDC						
24 24 VAC						
115 115 VAC					AG	Standard coil terminal (VAC)
230 230 VAC					AP	DIN 43650
** Includes standard coil nut DS only , DW or DL terminal						1/2 inch conduit
E-Coils					ER	E -type coil terminal (VDC)
10 10 VDC					EY	Deutsch DT04-2P (IP69K Rated)
12 12 VDC						Metri-Pack® 150 (IP69K Rated)
20 20 VDC						It provided with built-in coil diode. Please consult factory.
24 24 VDC						

It provided with built-in coil diode. Please Advisory. Exercise facility.

SV12-25 valve, 2-way , normally open



Description

Electromagnetic drive, 2-way, normally open, direct-acting spool-type, screw-in hydraulic cartridge valve, used as a two-way valve.

Working Principle

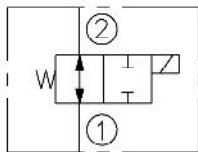
When off, SV12-25 allows bidirectional flow of oil. When energized, the spool shifts , thereby turning off the oil -way Flow.

Feature

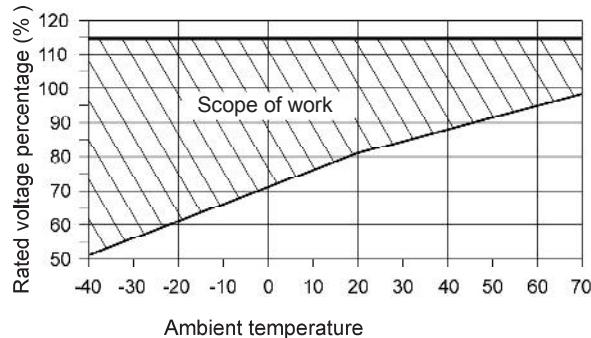
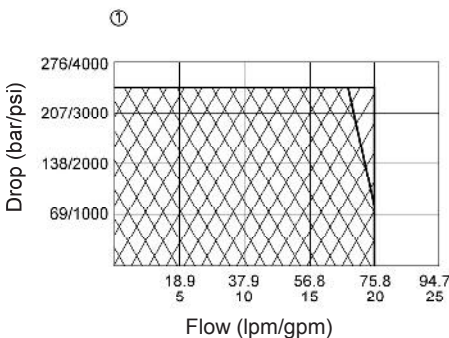
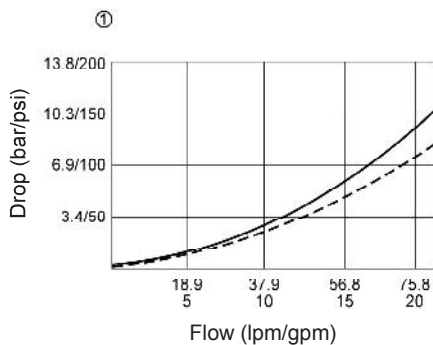
- rated solenoid suitable for continuous operation .
- Hardened spool and cage for long life.
- Optional coil voltages and terminations .
- can be fully pressurized to all ports .
- IP69K waterproof E -Coils durable.

Symbol _____

USAS/ISO:



Performance graph (only plug)

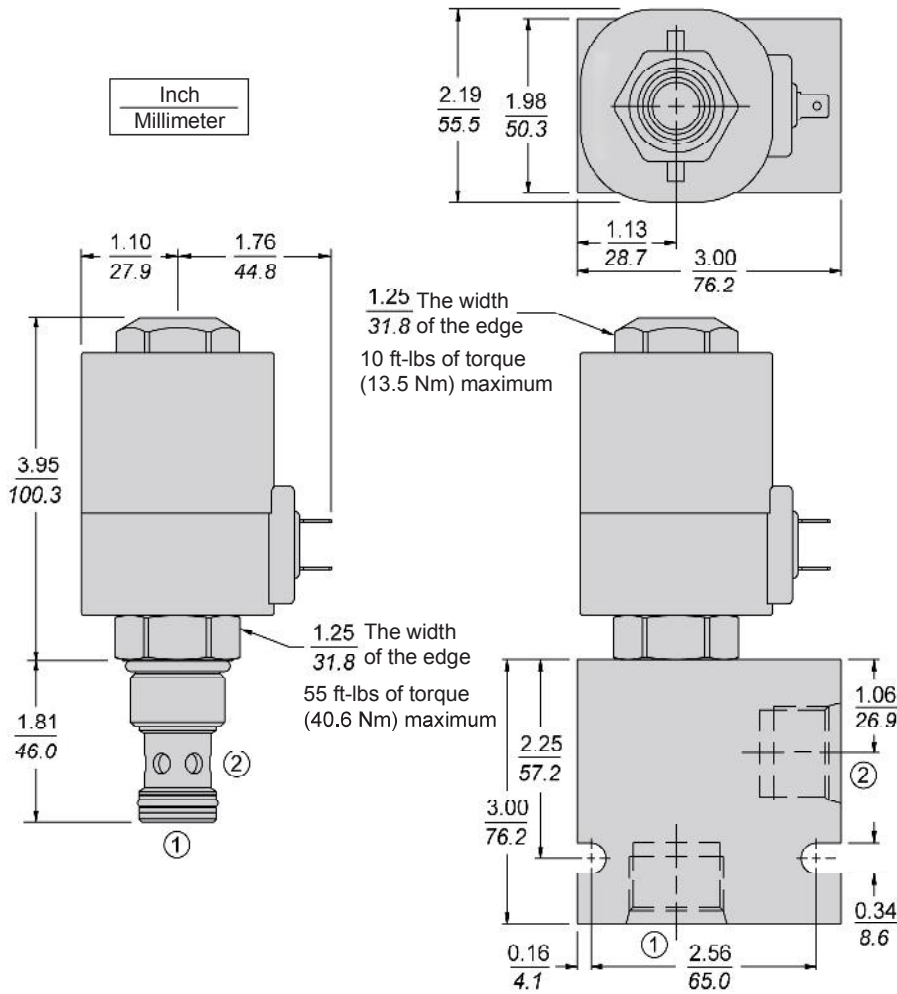


Property

Working pressure : Max 240 bar (3500 psi)
 Flow: See Performance Chart
 Leak : 240 bar (3500 psi) when , flow of 410 ml / minute (25 cubic inches / Min), flow of 574 ml / min (35 in³ / min)
 Temperature range: -40 to 120, nitrile rubber seals
 Coil Duty Rating: See Performance Chart
 Response time: pull: 100 ms ; release : 100 ms.
 Coil initial current at 20 12 VDC at 2.8 Security
 Filter: See 9.010.1
 Media: viscosity between 7.4 ~ 420cSt (50 ~ 2000ssu) of mineral oil or synthetic oil with lubricating
 Installation: No restrictions , see 9.020.1
 Valve hole: VC12-2; see 9.112.1
 Valve hole cutter Model: CT12-2XX; see 8.600.1
 The seal assembly Model: SK12-2X-M; see 8.650.1
 E-Coil Nuts: Part No. 7085180

Size

SV12-25



Material

Plugin: Weight: 0.25 kg (0.55 lbs);
Steel, Face through hard place
Management . Galvanized outer
surface; nitrile

TEF rubber O-rings and ring
(standard Quasi- type).

Standard Ported Body:

Weight: 0.5 7 kg (1.25 lbs.);

High- strength anodized

Aluminum, grade 6061 T6, rated
Pressures up to 240 bar (3500 psi);
see also 8.012.1 .

JProvide Ductile iron and steel
Block; the size may vary, please
consult Factory.

Coil: Weight: 1.36 kg (3.0 pounds);
gold Metal case; H -grade temperature
magnet wire; see
3.400.1 .

Ordering

SV12-25

Porting

Usually only

insert attachments **0**

SAE 10 **10T**

SAE 12 **12T**

SAE 16 **16T**

1/2 inch BSP * **4B**

3/4 inch BSP * **6B**

* BSP valve block ;

Manufacturing UK only

Sealing materials

Nitrile rubber (standard) **N**

Viton **V**

Terminal (VDC)

EL Wire (2), in line with IP65 standard

ES Double spade terminals, comply with IP65

EG standard

EW DIN 43650, IP65 rated

Wire, even with Weather-Pack®

EY Connectors meet IP65 standards

Metri-Pack® 150

Voltage

0 Wireless ring

12 12 VDC

24 24 VDC

36 36 VDC

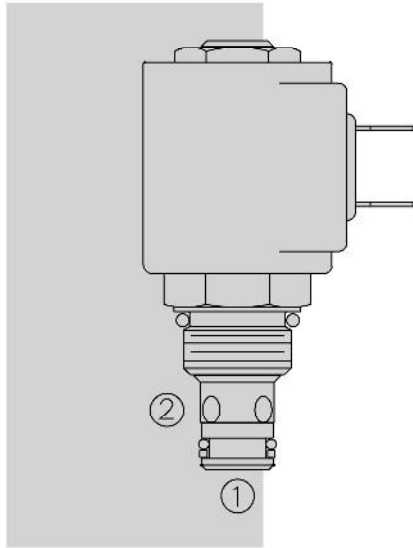
48 48 VDC

It provided with built-in coil diode .

Please Advisory

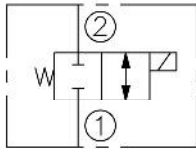
Exercise facility .

Other coil voltage can be used for OEM
Applications. Please consult factory.

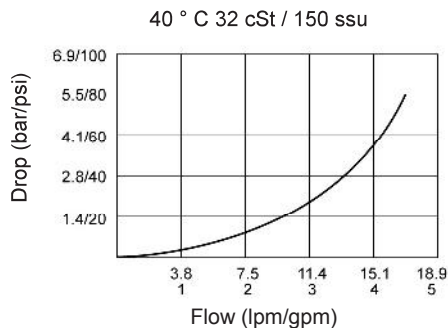


Symbol

USASI/ISO:



Performance graph (only plug)



Description

Electromagnetic drive, 2-way, normally closed, direct-acting spool-type, screw-in hydraulic cartridge valve, used in low flow circuit. Two-way valve.

Works

When off, SV08-24 off two-way flow of oil.

When energized, the plug valve shifts to allow two-way flow of oil .

Manual Override Function Operating method : To carry out an emergency operation, press the button , rotate counterclockwise 180 ° release. The internal spring will push the button out . In this position, the valve may be only part of the movement. Wish Ensure full override shift, pull the button out to its fullest extension and hold it in this position.

To return to normal valve function, press the button, in clockwise rotation 180 ° release. Manual Override

Members will be locked in this position.

Feature

- rated solenoid suitable for continuous operation.
- Hardened spool and cage for long life.
- Optional coil voltages and terminations.
- two oil ports may be fully pressurized.
- Efficient wet armature structure.
- Plug- voltage interchangeable.
- Manual Override option.IP69K
- Optional waterproof E-Coils.
- overall molded coil design.
- Industry common cavity.
- compact structure.

Property

Working pressure: 207 bar (3000 psi)

Flow: Maximum 17 lpm (4.5 gpm)

Internal Leakage: in 207 bar (3000 psi), the maximum of 82 ml / min (5 cubic inches / min)

Temperature range : -40 to 120, the standard nitrile rubber seals

Coil rated load: continuous work within 85-115% of the rated voltage range.

Coil initial current at 20: Standard Coil: 12 VDC at 1.2 Ann , 115 VAC (full- wave rectifier 0.13 An flow) when. E-Coil: 12 VDC at 1.4 A; 24 VDC at 0.7 Security.

Minimum pull-in voltage: 207 bar (3000 psi) at 85 % of rated

Filter : See 9.010.1

Media: viscosity between 7.4 ~ 420cSt (50 ~ 2000ssu) of mineral oil or synthetic oil with lubricating

Installation: No restrictions, see 9.020.1

Valve hole : VC08-2; see 9.108.1

Valve hole cutter Model: CT08-2XX; see 8.600.1

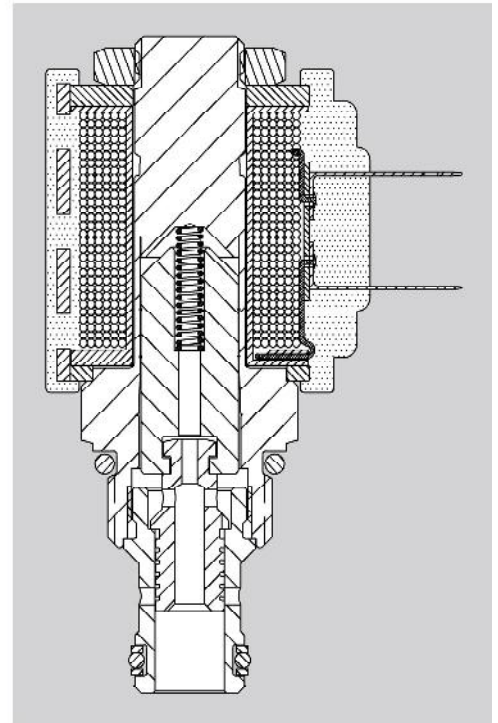
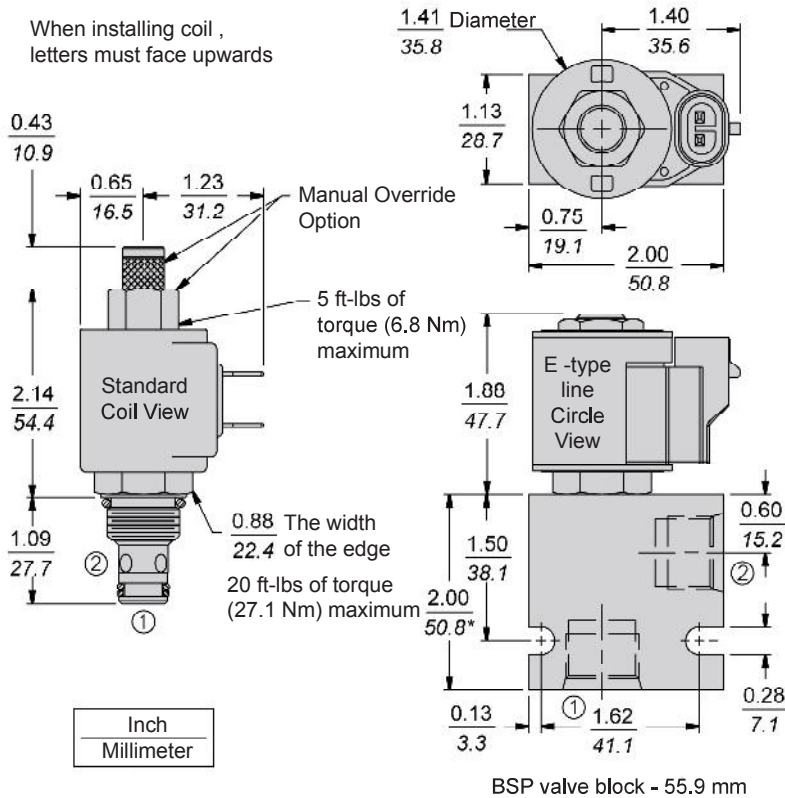
The seal assembly Model: SK08-2X-M; see 8.650.1

Coil Nuts: Part No. 7004400; E -type coil for January 1, 2004 production, please

See section 3.400.1 coil nut information page .

Size

SV08-24



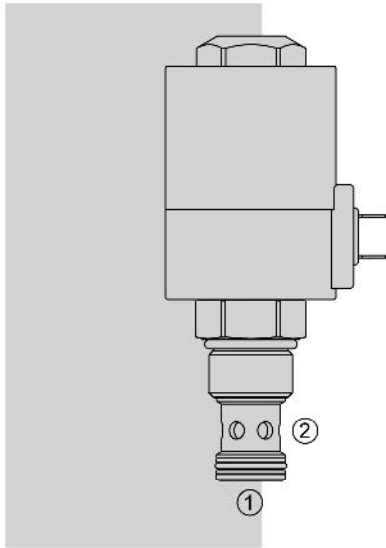
Material

Plugin: Weight: 0.09 kg (0.20 Lbs.) ; Steel , Hardened Face
 Quality treatment. Galvanized outer surface; D Nitrile rubber O -rings and ring (standard Quasi- type).
 Standard Ported Body: Weight: 0.1 6 kg (0.35 lbs.); High-strength anodized Of aluminum, grade 6061 T6, Rated pressure up to 240 bar (3500 psi); see 8.008.1. Providing ball Graphite cast iron and steel valve block; size can be.
 Can vary, please consult factory.
 Standard Coil: Weight: 0.11 kg (0.25 pounds); unified thermal plastic Equipment; H -grade temperature magnet wire; see 3.200.1 .
 E-Coil: Weight: 0.1 4 kg (0.3 lbs); rugged metal housing
 Full package with IP69K protection standard Accurate, with integrated connector ;
 NOTE: All new about the E -type coil Application, see 3.400.1 .

Ordering

SV08-24

Option	Code	Standard coil voltage	Standard coil terminal (VDC)
None	(blank)		
Manual Override	M		
Filter	S		
Porting			
Usually only			
insert attachments	0		
SAE 4	4T		
SAE 6	6T		
SAE 8	8T		
1/4 inch BSP *	2B		
3/8 inch BSP *	3B		
1/2 inch BSP *	4B		
* BSP valve block			
Manufacturing UK only			
Sealing materials			
Nitrile rubber (standard)	N		
Viton	V		
		Standard coil voltage	
		Wireless laps **	
		0 10 VDC [†]	DS Double spade terminals
		10 10 VDC	DG DIN 43650
		12 12 VDC	DL wire (2)
		24 24 VDC	DL/W wire , with Weatherpak® Connector
		36 36 VDC	DR DR Deutsch DT04-2P Standard coil terminal (VAC)
		48 48 VDC	AG DIN 43650
		24 24 VAC	AP 1/2 inch conduit
		115 115 VAC	E -type coil terminal (VDC)
		230 230 VAC	
		** Includes standard coil nut	ER Deutsch DT04-2P (IP69K Rated)
		Only DS, DW or DL terminal	EY Metri-Pack® 150 (IP69K Rated)
		E-Coils	It provided with built-in coil diode. Please consult factory.
		10 10 VDC	
		12 12 VDC	
		20 20 VDC	
		24 24 VDC	



Description

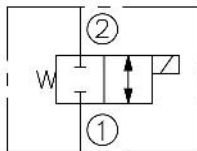
Electromagnetic drive, 2-way, normally closed, direct operated sliding type, screw-in hydraulic cartridge valve, used as a two-way shut-off valve.

Feature

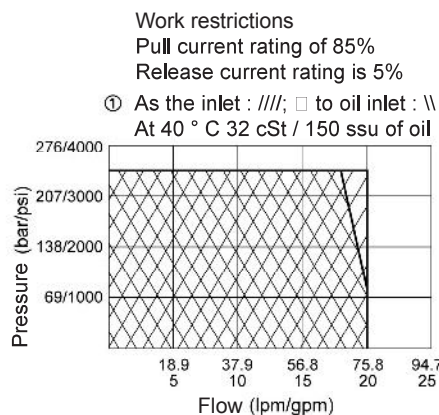
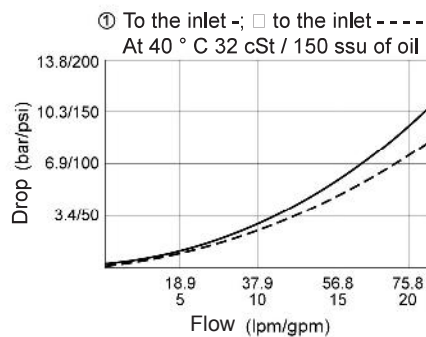
- solenoid valve suitable for continuous operation
- Hardened spool and sleeve, durable
- electromagnetic coil voltages and terminations Optional
- All ports may be pressed at the same time
- waterproof E -Coils, for heavy, IP69K Rated

Symbol

USASI/ISO:



Performance graph (only plug)



Property

Working pressure: Max 240 bar (3500 psi)

Flow: See Performance Chart

Leak: pressure of 240 bar (3500 psi) maximum of 410 ml / min
(25 in3 / min)

Temperature range: NBR seals -40 ~ 120

Coil Duty Rating: See Illustration

Response time: pull : 100 ms ; release : 100 ms at 20 initial

role coil current : 12 VDC when

2.8 Security

Filtration: See Section 9.010.1

Media: viscosity between 7.4 ~ 420cSt (50 ~ 2000ssu) of mineral oil or synthetic oil with lubricating

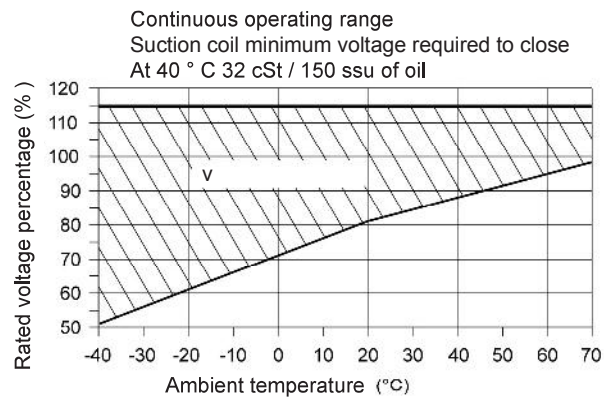
Installation: Unlimited , see page 9.020.1 page

Valve hole : VC12-2; see page 9.112.1

Valve hole cutter Model : CT12-2XX; see page 8.600.1

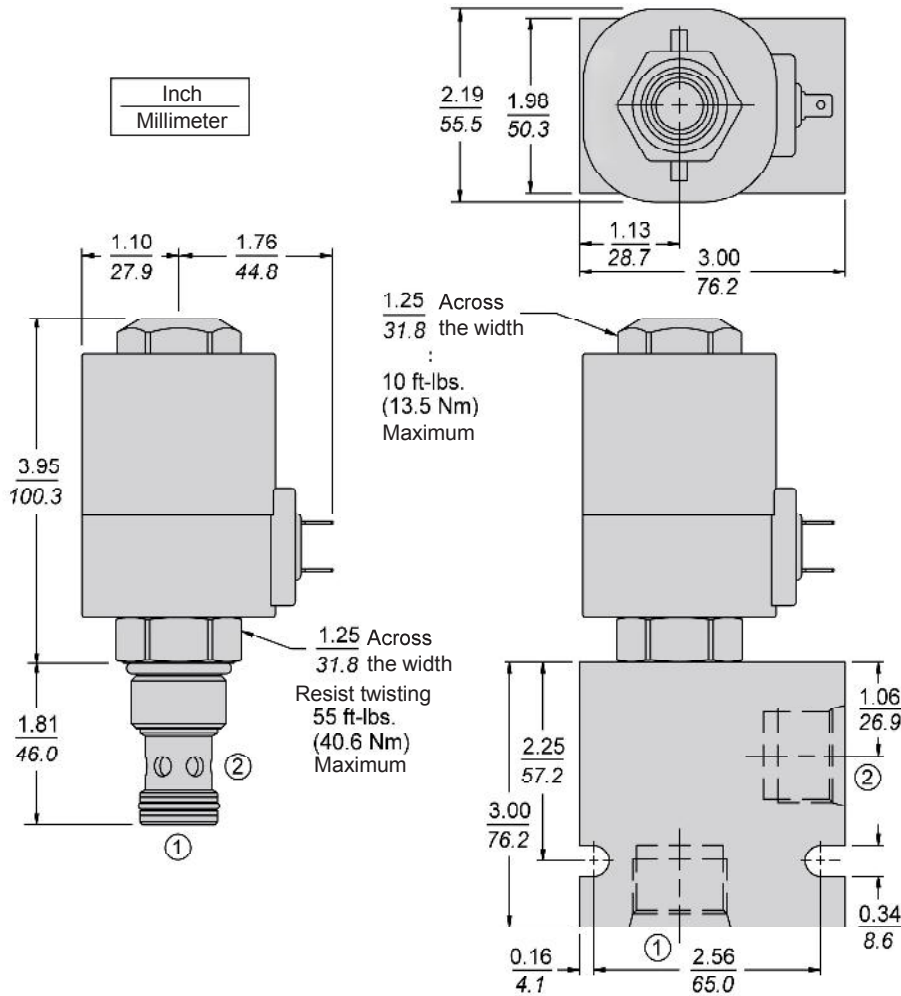
The seal assembly Model : SK12-2X-M; see page 8.650.1

E-Coil Nuts : Part # 7085180



Size

SV12-24



Material

Cartridge Valve: Weight: 0.25 kg (0.55 lbs) ;
 Face of steel and hard- treated.
 The outer surface of the galvanized; standard nitrile rubber O TFE -rings and rings.
 Standard Ported Body: Weight: 0.5 7 kg (1.25 pounds) ; anodized high Strength 6061 T6 aluminum alloy, can withstand 240 bar (3500 psi) pressure, the Senate See Section 8.012.1 page. Ball can also be used.
 Graphite cast iron and steel valve block , the size of some.
 Different , please consult factory.
 E-Coil : Weight: 1.36 kg (3.0 pounds) ; Rugged metal housing , fully encapsulated , in line with IP69K standard , with integral connectors ; See page 3.400.1 .

Ordering

SV12-24

Porting

Usually only insert attachments

SAE 10 10T	10T
SAE 12 12T	12T
SAE 16 16T	16T
1/2 inch BSP *	4B
3/4 inch BSP *	6B
1.065.2	

* BSP valve block ;
 UK only Manufacturers

Seals
 Standard Buna **N**
 Fluorocarbons **V**

Terminal (VDC)

EL	wire (2) , in line with IP65 standard
ES	-sided , in line with IP65 standard
EG	DIN 43650, IP65 rated
EW	wire with Weather-Pack® Interface Access to IP65 standards
EY	Metri-Pack®150 joints, in line with IP69K standard

Also provides built-in diode of the coil .
 Please consult factory.

Voltage
 Wireless ring

0	Wireless ring
12	12 VDC
24	24 VDC
36	36 VDC
48	48 VDC

Coil OEM device may use other voltage Value. Consult factory