

Itahydraulic

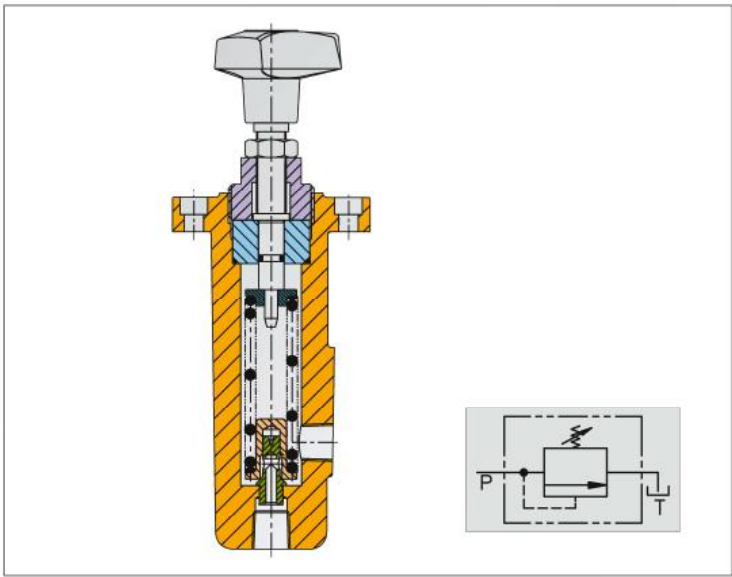
Power Technology



Pressure Control Valves

Relief • Single • Multi Pressure • Remote • Solenoid • Manual

Remote Control Relief Valves Series C175



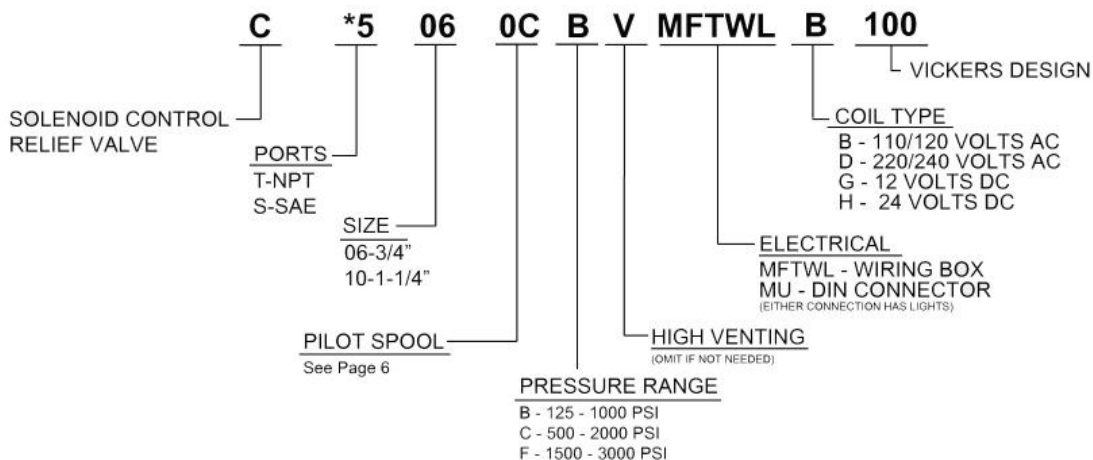
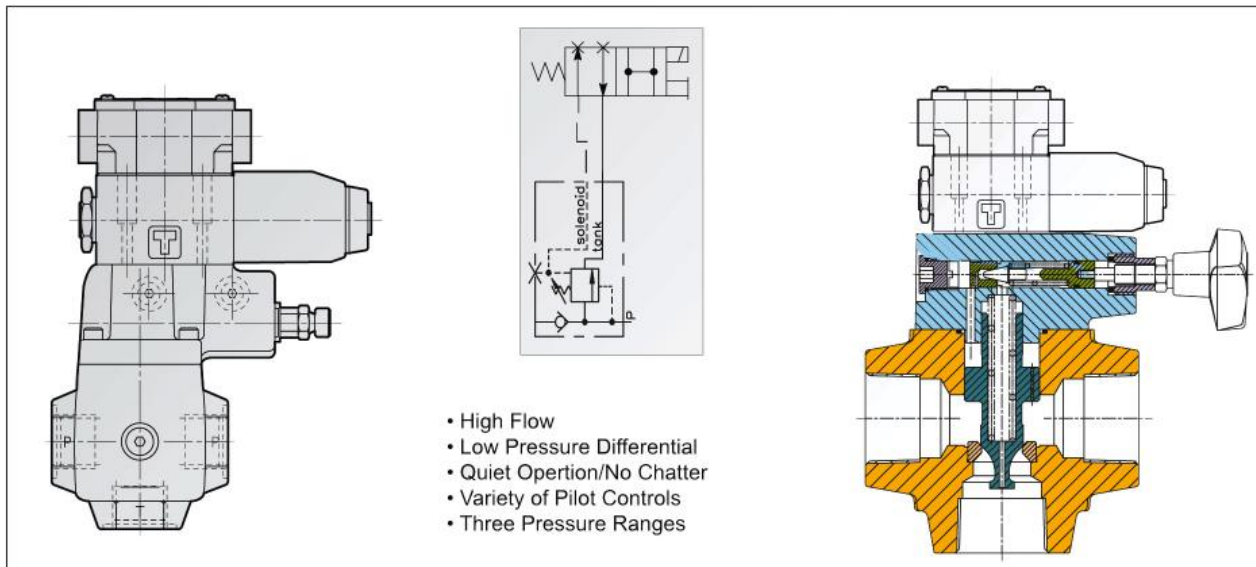
C **175** **C** **20**
 REMOTE CONTROL RELIEF VALVE DESIGN NUMBER
 Model - 175 PRESSURE RANGE
 B - 75 - 1000 PSI
 C - 500 - 2000 PSI
 F - 1000 - 3000 PSI

NOTE: 1/4" NPT PORTS

Ratings

Model	Pressure range (PSI)	Rated Flow (US GPM)
C175-B	75 - 1000 PSI	5 US GPM
C175-C	500 - 2000 PSI	
C175-F	1500 - 3000 PSI	

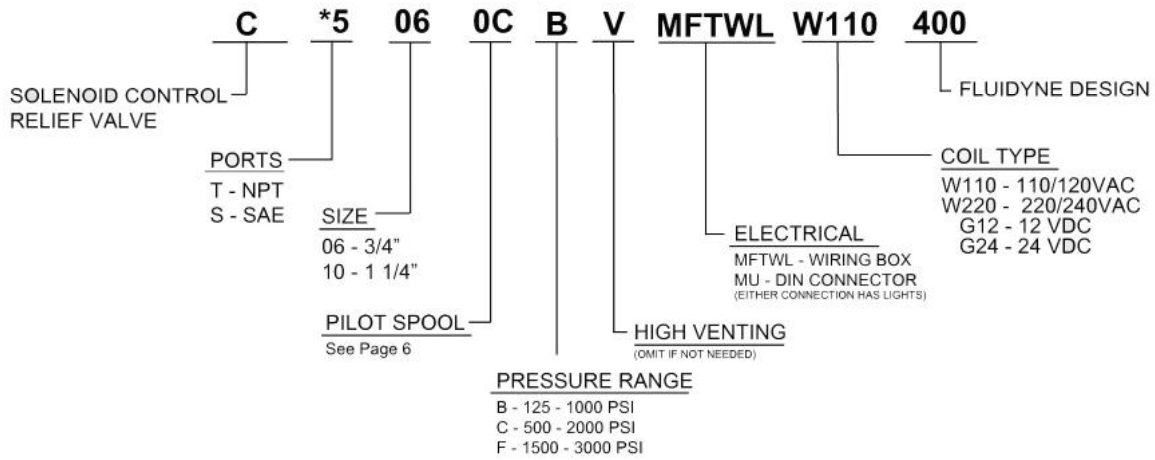
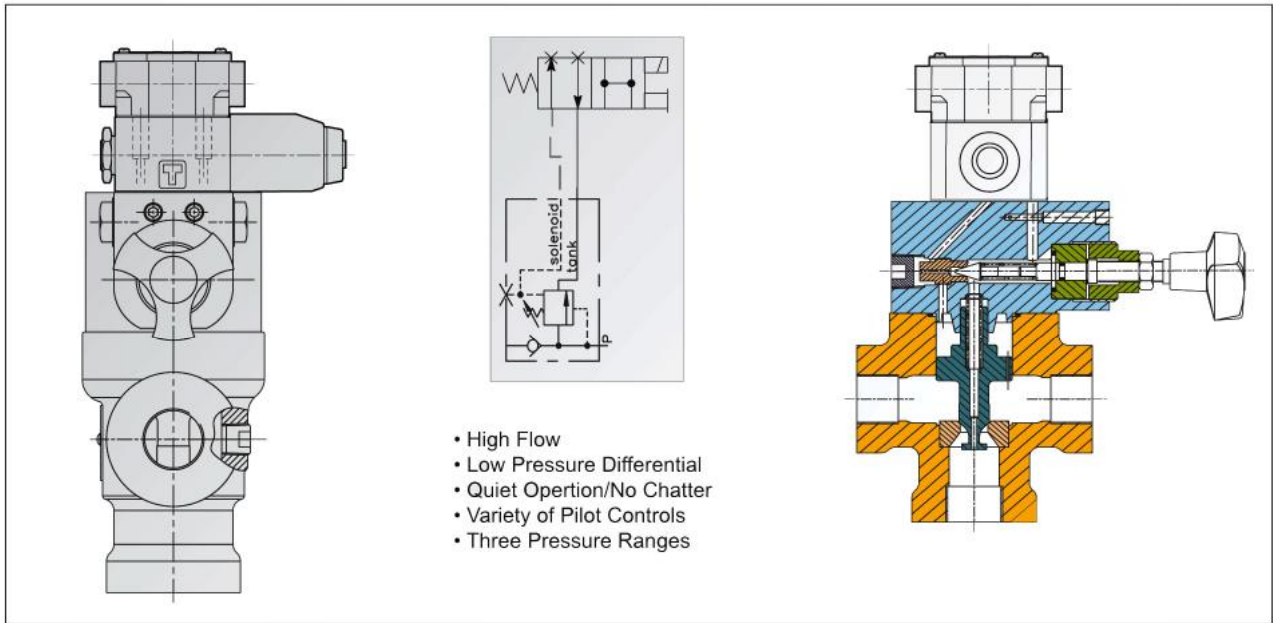
Solenoid Pilot Operated Relief Valves CT5,CS5



Ratings

Model	Pressure Ranges	Rated Flow 06-3/4"	Rated Flow 10-1-1/4"
C*5-B	125-1000 PSI (7-69 bar)	60 US GPM (227.4 LPM)	120 US GPM (454 LPM)
C*5-C	500-2000 PSI (34-138 bar)		
C*5-F	1500-3000 PSI (103-207 bar)		

Solenoid Pilot Operated Relief Valves CT5, CS5



Ratings

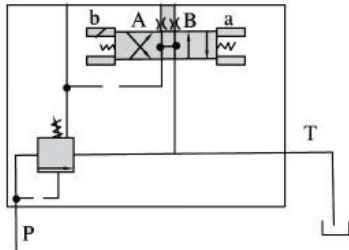
Model	Pressure Ranges	Rated Flow 06-3/4"	Rated Flow 10-1-1/4"
C*5-B	125-1000 PSI (7-69 bar)	60 US GPM (227.4 LPM)	120 US GPM (454 LPM)
C*5-C	500-2000 PSI (34-138 bar)		
C*5-F	1500-3000 PSI (103-207 bar)		

Solenoid Pilot Operated Relief Valves CT5,CS5

Model C*5--0C**

Pilot Valve (DG4V3-0C)

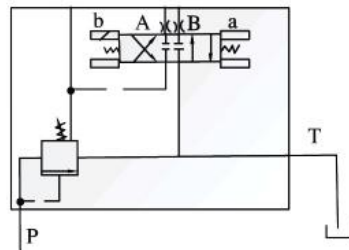
Solenoid "A" energized	Control connection "A"
Solenoid "B" energized	Control connection "B"
Solenoid de-energized	Valve is Vented



Model C*5--2C**

Pilot Valve (DG4V3-2C)

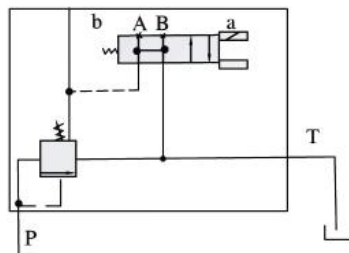
Solenoid "A" energized	Control connection "A"
Solenoid "B" energized	Control connection "B"
Solenoid de-energized	Main Body Adjustment



Model C*5--0A**

Pilot Valve (DG4V3-0BL)

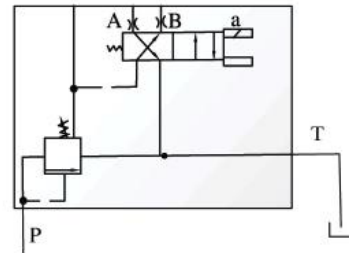
Solenoid "A" energized	Main Body Adjustment
Solenoid de-energized	Valve is Vented



Model C*5--1A**

Pilot Valve (DG4V3-2AL)

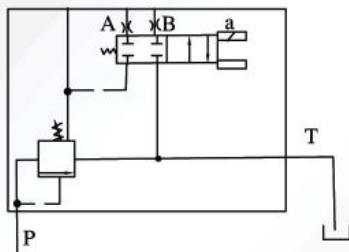
Solenoid "A" energized	Control connection "A"
Solenoid de-energized	Control connection "B"



Model C*5--2A**

Pilot Valve (DG4V3-2BL)

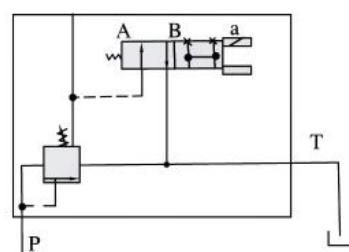
Solenoid "A" energized	Control Connection "A"
Solenoid de-energized	Main Body Adjustment



Model C*5--0F**

Pilot Valve (DG4V3-0FL)

Solenoid "A" energized	Valve is vented
Solenoid de-energized	Main Body Adjustment

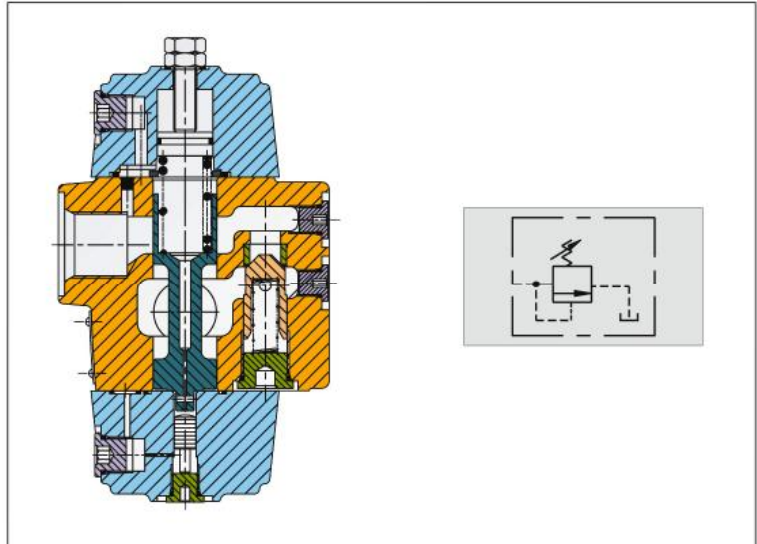


Press. Control Valves RS/T,RCS/T, 06 & 10 SIZES

**IN-LINE
PRESSURE CONTROL VALVE**

Multiple Configurable Functionality

- Relief Valve
- Sequence Valve
- Counterbalance Valve
- Unloading Valve



R (C) S 06 B 1 30

VALVE TYPE
R – Pressure control valve

INTEGRAL CHECK VALVE
C – Reverse free flow check (omit if not required)

CONNECTIONS
S – SAE straight thread
T – NPTF thread

VALVE SIZE
06 – 3/4" pipe or 1.0625-12 UN-2B straight thread (0.750 tubing)
10 – 1 1/4" pipe or 1.6250-12 UN-2B straight thread (1.250 tubing)

DESIGN NUMBER
Subject to change. Installation dimensions same for designs 30 through 39.

VALVE APPLICATION TYPE*

- 1 – Internal drain directly operated
- 2 – External drain directly operated
- 3 – External drain remotely operated
- 4 – Internal drain remotely operated

* Valve function

- 1 - Back pressure/Counterbalance
- 2 - Sequence valve
- 3 - Remote Sequence
- 4 - Remote Unloading/Counterbalance

See next page for hydraulic configuration.

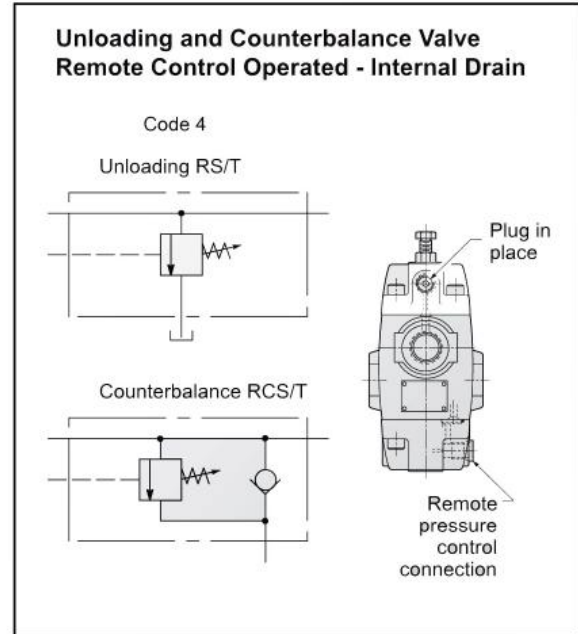
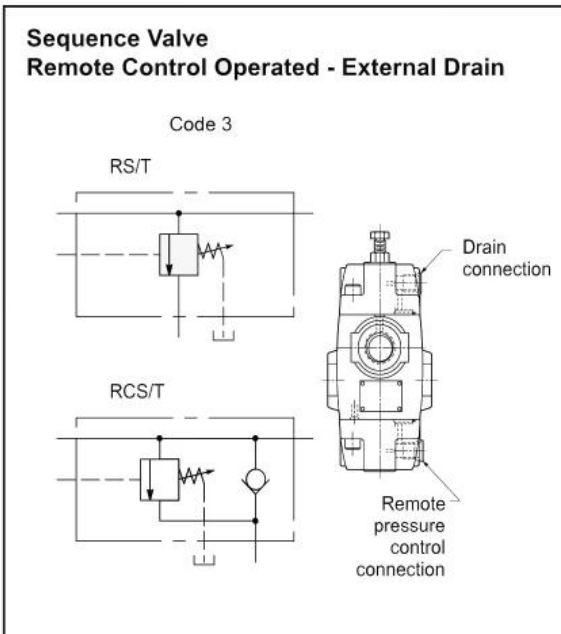
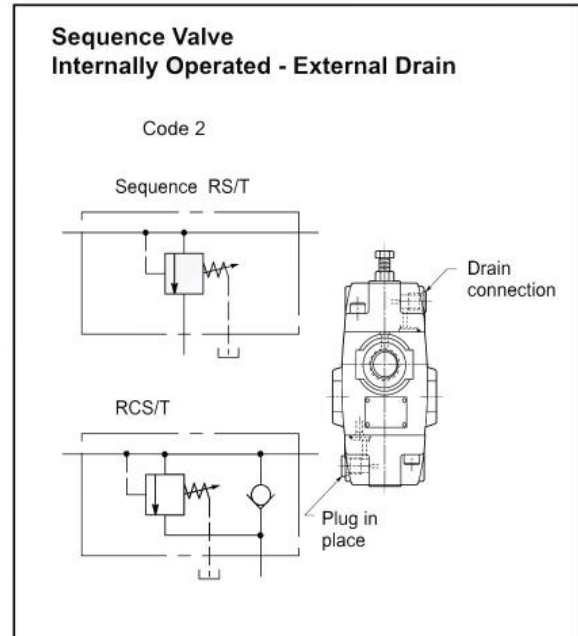
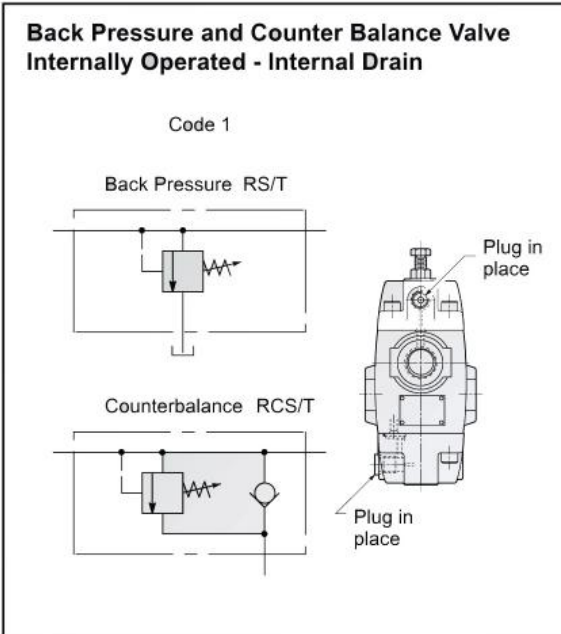
PRESSURE RANGE

- A – 5,2 to 17,2 bar (80 to 250 psi)
- B – 8,5 to 35 bar (125 to 500 psi)
- D – 17,2 to 70 bar (250 to 1000 psi)
- F – 35 to 140 bar (475 to 2000 psi)

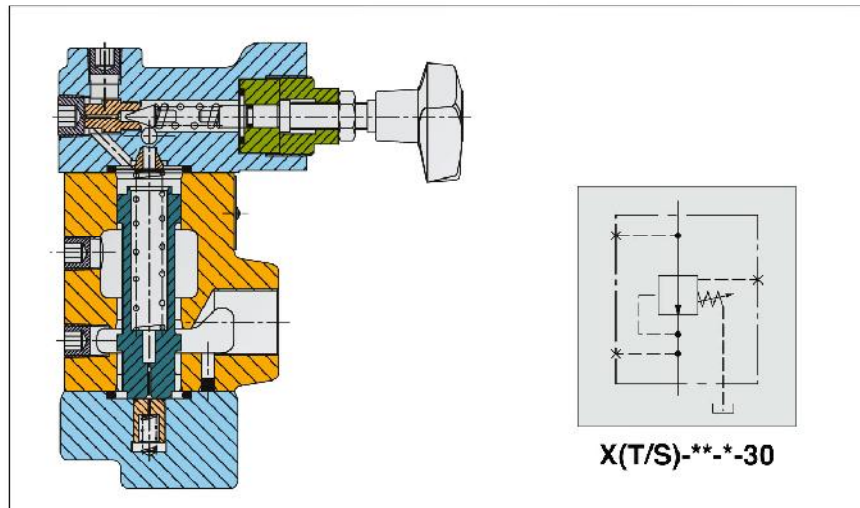
Ratings

Rated Pressure (Maximum)	210 bar (3000 psi)
Rated Capacity (Maximum)	
R*-06	114 l/min (30 USgpm)
R*-10	284 l/min (75 USgpm)

Press. Control Valves RS/T, RCS/T, 06 & 10 SIZES



Pressure Reducing Valve XS/T, 06/10 SIZES



X * - 06 - 3 B 30

VALVE TYPE
X – Pressure Reducing Valve

CONNECTIONS
S – SAE straight thread
T – NPTF thread

VALVE SIZE
06 – 3/4" pipe or 1.0625-12 UN-2B straight thread (0.750 tubing)
10 – 1 1/4" pipe or 1.6250-12 UN-2B straight thread (1.250 tubing)

DESIGN NUMBER
Subject to change. Installation dimension same for designs 30 through 39.

MAXIMUM RATED FLOW CAPACITY

* B – Size	Flow l/min (USgpm)
06	75 (20)
10	189 (50)

F – Size

Size	Flow l/min (USgpm)
06	114 (30)
10	284 (75)

MAXIMUM ADJUSTABLE PRESSURE

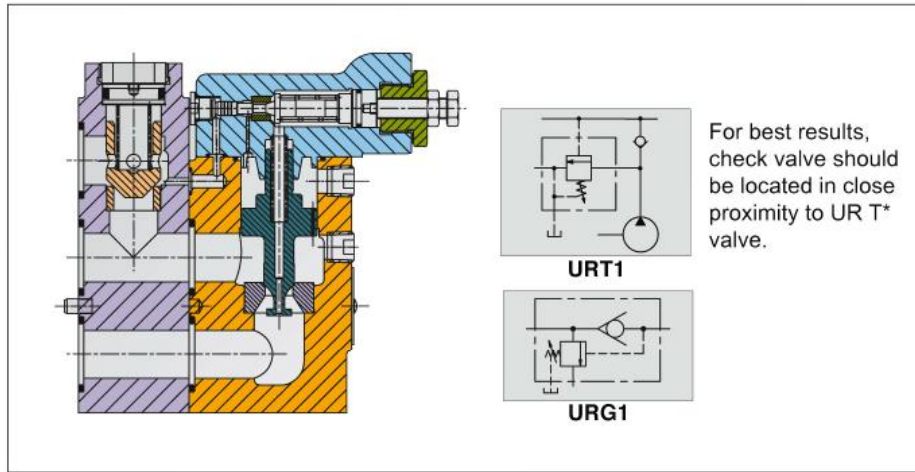
1	7-70 bar (100 - 1000 psi)
2	7-140 bar (100 - 2000 psi)
*3	7-210 bar (100 - 2850 psi)

*Preferred Valve Options

Ratings

Rated Capacity (Maximum)	189 l/min (50 USgpm)
Inlet Pressure (Maximum)	210 bar (3000 psi)

Unloading Relief Valves URG, URT - 06/10**



For best results, check valve should be located in close proximity to UR T* valve.

URT1

URG1

