



DIRECTIONAL MANUAL VALVES

SECTIONAL AND MONOBLOCK VALVES USE GUIDE

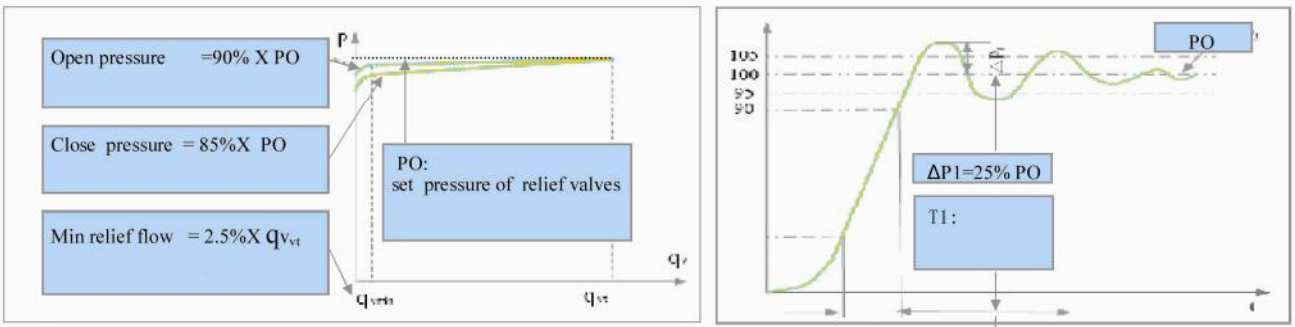


PERFORMANCE DATA

Model	Displacement (L/min)	Pressure (bar)	Number of spool	Internal leakage	Configuration
		Max. continuous	MAX/	50°C/160bar (ml/min)	
MONOBLOCK VALVES					
ZD25	25	250	1-6	10~25	monoblock
ZD3	40	250	3	15~30	monoblock
ZD45-1	45	250	1	15~30	monoblock
ZD45-*	45	300	1-6	15~30	monoblock
ZD60	63	250	2	15~30	monoblock
ZD70	70	250	1-6	25~35	monoblock
ZD80	80	300	1-6	25~35	monoblock
ZD120	120	300	1	30-35	monoblock
ZD160	160	300	1-6	30~35	monoblock
FP75/SXF	25	200	1	10~25	monoblock

SECTIONAL VALVES					
KWZS	40	200	1-6	15-30	sectional
34DLS	40	200	1-6	15~30	sectional
ZS-L10	40	200	1-6	15~30	sectional
ZS-L15	63	200	1-8	15~30	sectional
ZS-L20	100	200	1-8	30~35	sectional
ZS-L25	160	200	1-8	30~35	sectional
ZFS-L10	40	200	1-6	15~30	sectional
ZFS-L15	63	200	1-8	15~30	sectional
ZFS-L20	100	200	1-8	30~35	sectional
ZFS-L25	160	200	1-8	30~35	sectional
DLS-15	63	200	1-6	15~30	sectional

SPECIFICATION OF INTEGRATE RELIEFE VALVES

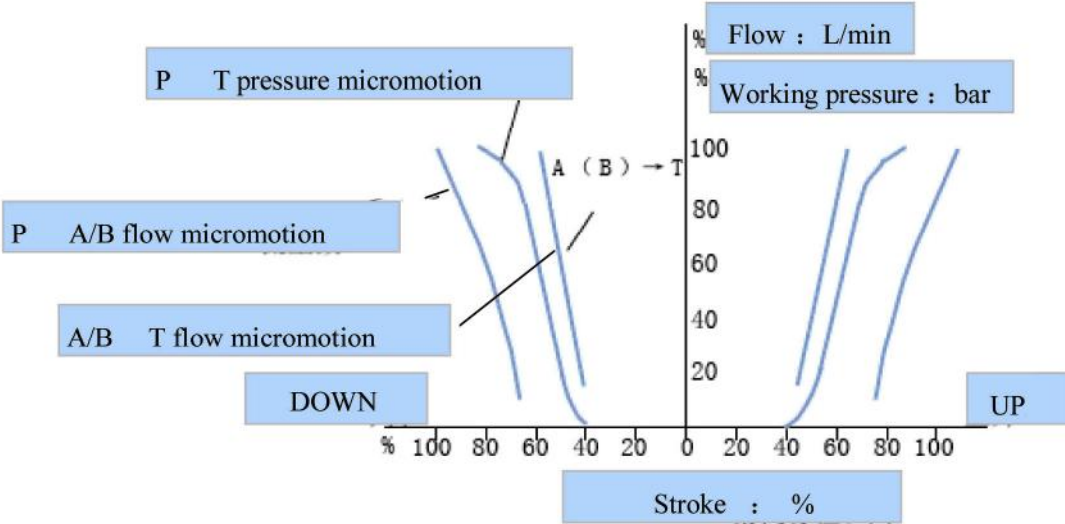


T1	PO (bar)	160	200	250	300
	the time of transient response (sec)	0.20	0.22	0.24	0.25

SECTIONAL AND MONOBLOCK VALVES USE GUIDE

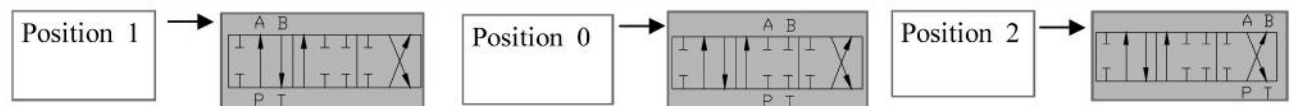


PERFORMANCE DATA



L/min	stroke (mm)	L/min	stroke (mm)	L/min	stroke (mm)
25	± 5.6	63	± 6.9	100	± 9.5
40	± 5.6	70	± 7.1	120	± 9.5
45	± 5.6	80	± 7.1	160	± 10

2:FUNCTION OF SPOOL



Spool code	Symbol	Function
S1		Double acting spool (P-A-B-T closed in position 0) (P-A-B-T)
S2		Double acting motor spool (P closed; A-B → T in position 0) (: P , A-B → T)
S3		Double acting motor spool (P-B closed; A → T in position 0) (: P-B , A → T)
S4		Double acting motor spool (P-A closed; B → T in position 0) (: P-A , B → T)
S5		Single acting motor spool (P-A-B-T closed in position 0) (P-A-B-T , B)
S6		Single acting motor spool (P-A-B-T closed in position 0) (P-A-B-T , A)
S7		Double acting motor spool (P closed; A,B partially open to T in position 0) (, P , A,B T)

SECTIONAL AND MONOBLOCK VALVES USE GUIDE



3: OPTION OF AUXILIARY VALVES	
code	Function
V1	Auxiliary relief valves, the function to limit the pressure of system. Of downstream
V2	Check valves in A or B port
V3	Anti-shock check
V4	Anti- cavitation
V5	Flow control valve
V6	Proportion solenoid control valve

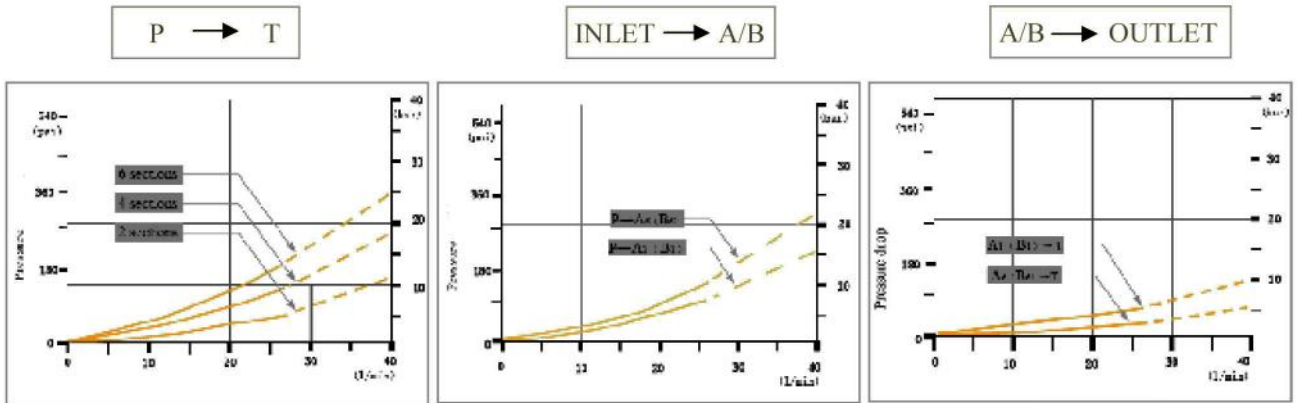
4: OPTION OF P/T/A/B PORT /P/T/A/B	
code	dimension
L1	P/T/A/B =G3/4
L2	P/T/A/B =NPT3/4
L3	P/T/A/B=PT3/4
L4	P/T/A/B=M27X2
L5	P=G3/4 T=G1 A/B=G3/4
L6	P=G3/4 T=G3/4 A/B=G1/2
L7	P=G1/2 T=G3/4 A/B=G1/2
L8	P/T/A/B =G3/8
L9	P=G3/8 T=G3/8 A/B=G1/4
L10	P=M22X1.5 T=M22X1.5 A/B=M18X1.5
L11	P/T/ A/B=M18X1.5
L12	P=NPT3/4 T=NPT3/4 A/B=NPT1/2
L13	P/T/A/B=M22X1.5
L14	P=M22X1.5 T=M22X1.5 A/B=M18X1.5

5: Mode of replacement orientation

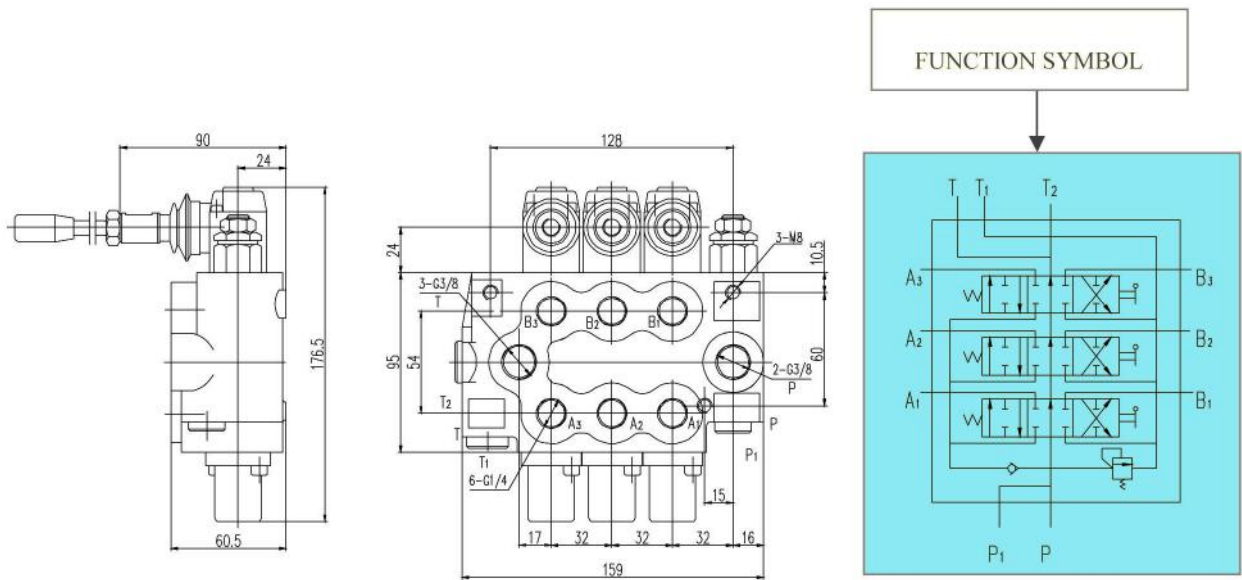
Code	Function	Description
D	1 0 2	With detent 1, 2, 3
D2	1 0 2	With detent in 2
D1	1 0 2	With detent in 1
T	1 0 2	with spring return in 0
T1	1 0 2	with spring return in 1
T2	1 0 2	with spring return in 2

Code	Function	Description
D3	1 2	With detent 1,2
D4	1 0	With detent in 1,0
D5	0 2	With detent in 0,2

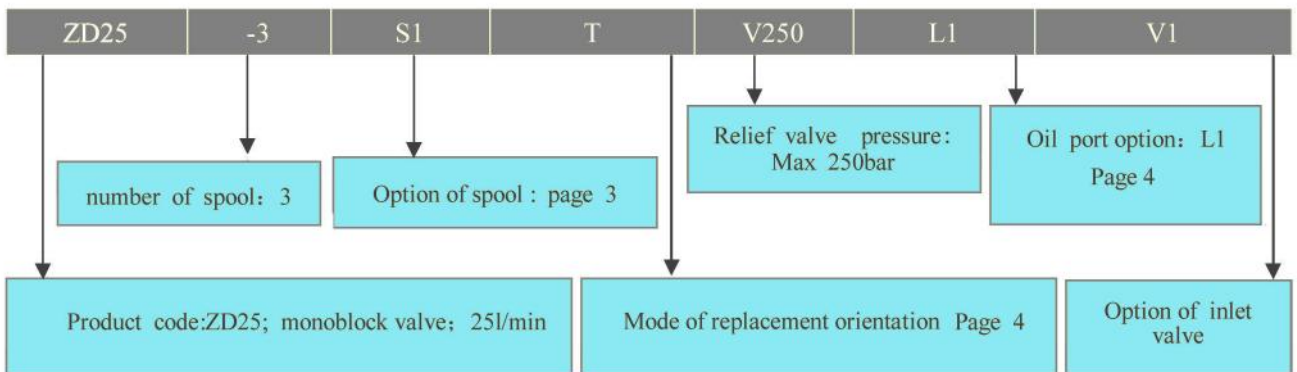
ZD25 MONOBLOCK VALVES



INSTALLATION DIMENSIONS AND FUNCTION SYMBOL



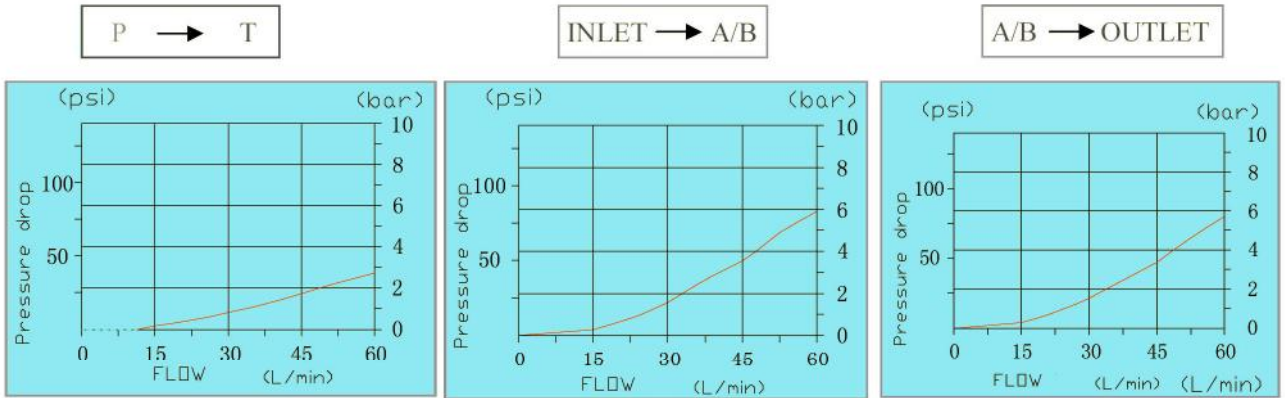
MODE INSTRUCTION



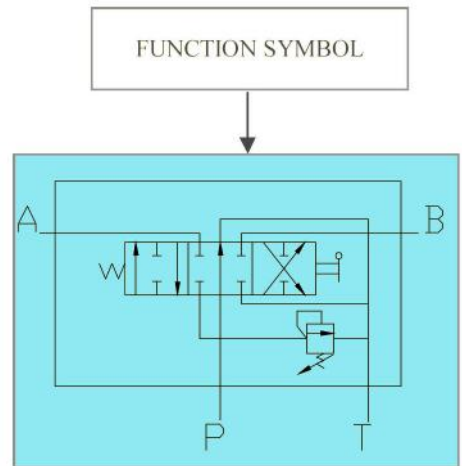
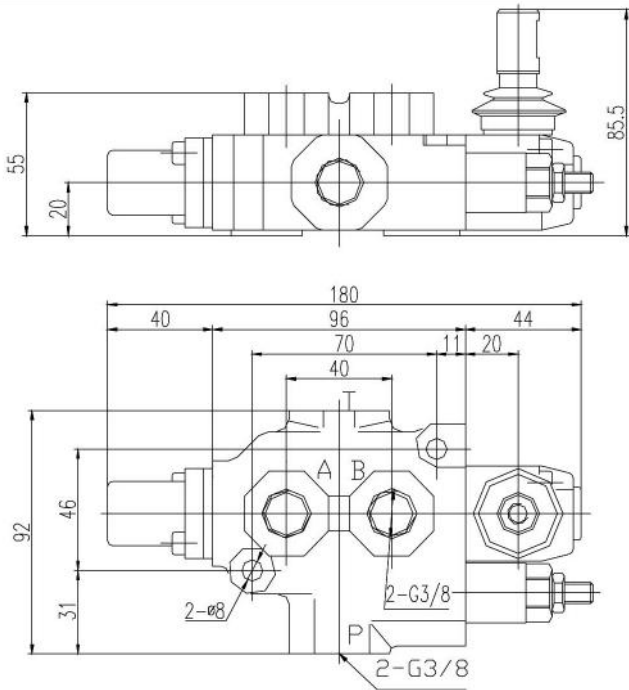
ZD45-1*V250 MONOBLOCK VALVES



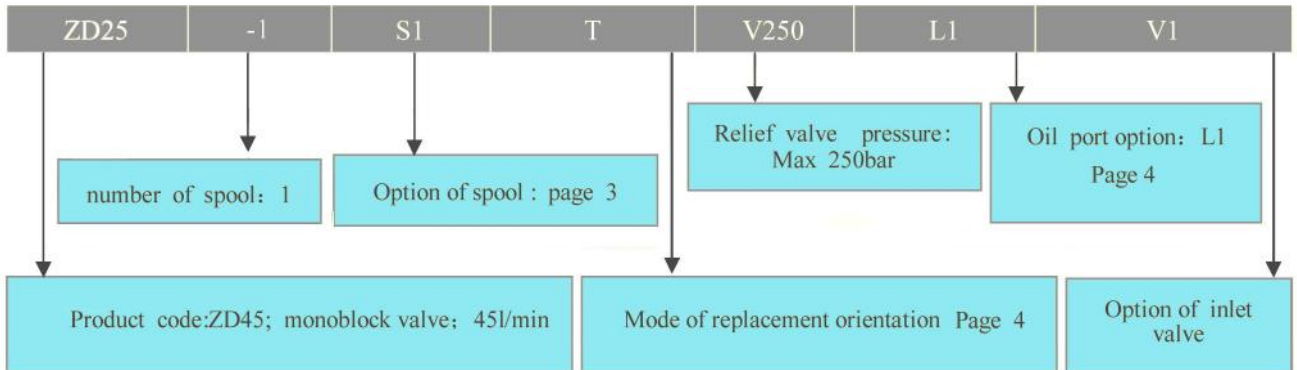
PRESSURE DROP



INSTALLATION DIMENSIONS AND FUNCTION SYMBOL



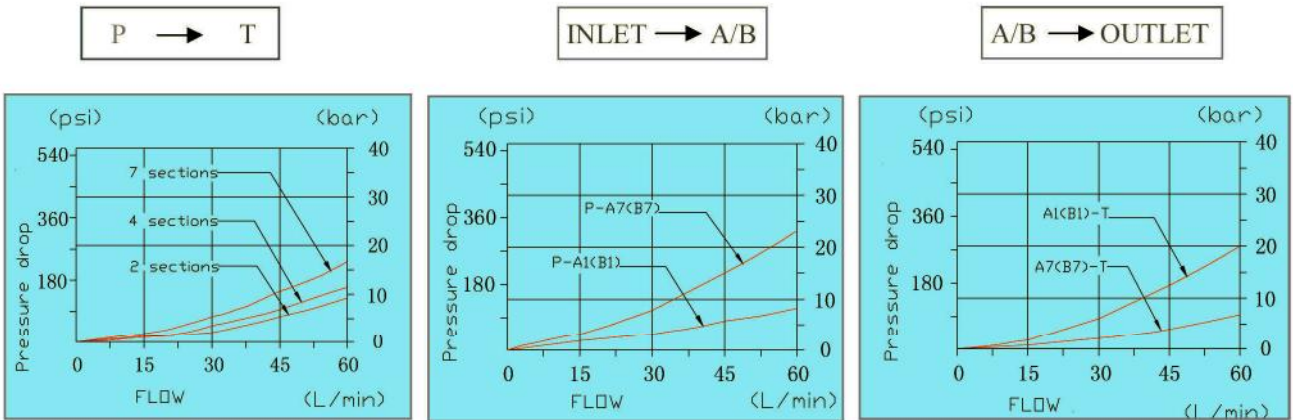
MODE INSTRUCTION



ZD45-V300 MONOBLOCK VALVES



PRESSURE DROP



MODE INSTRUCTION

INSTALLATION DIMENSIONS AND FUNCTION SYMBOL

